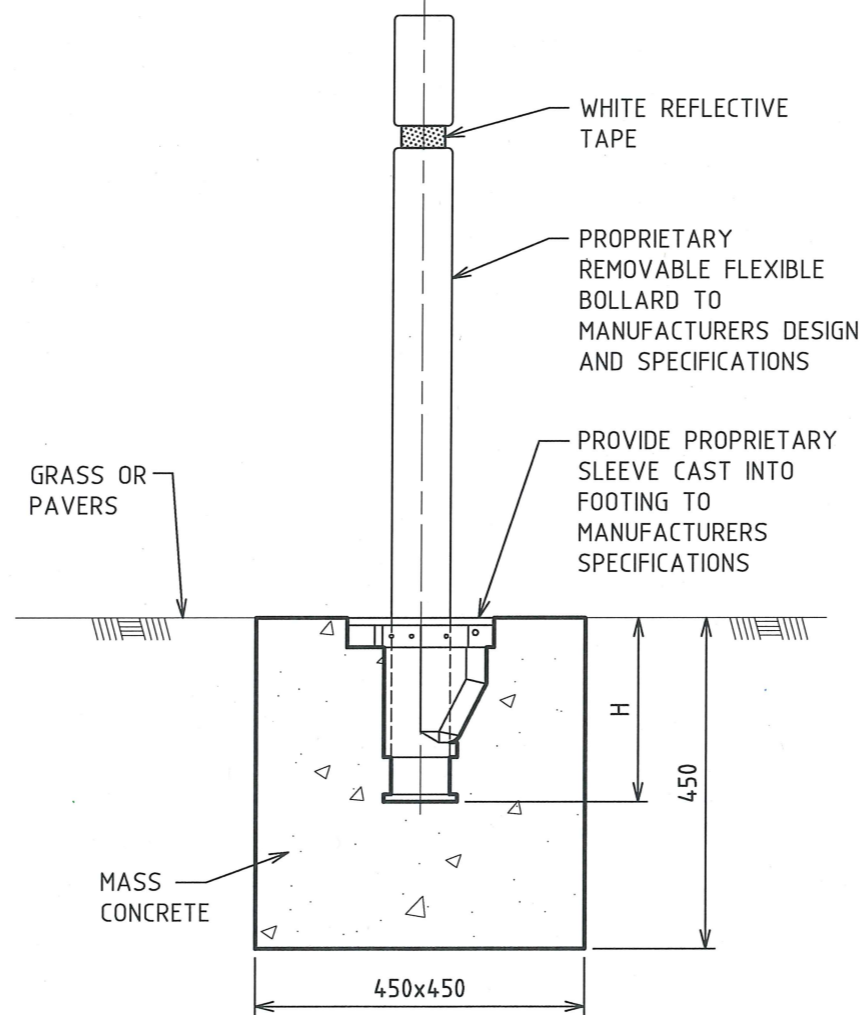
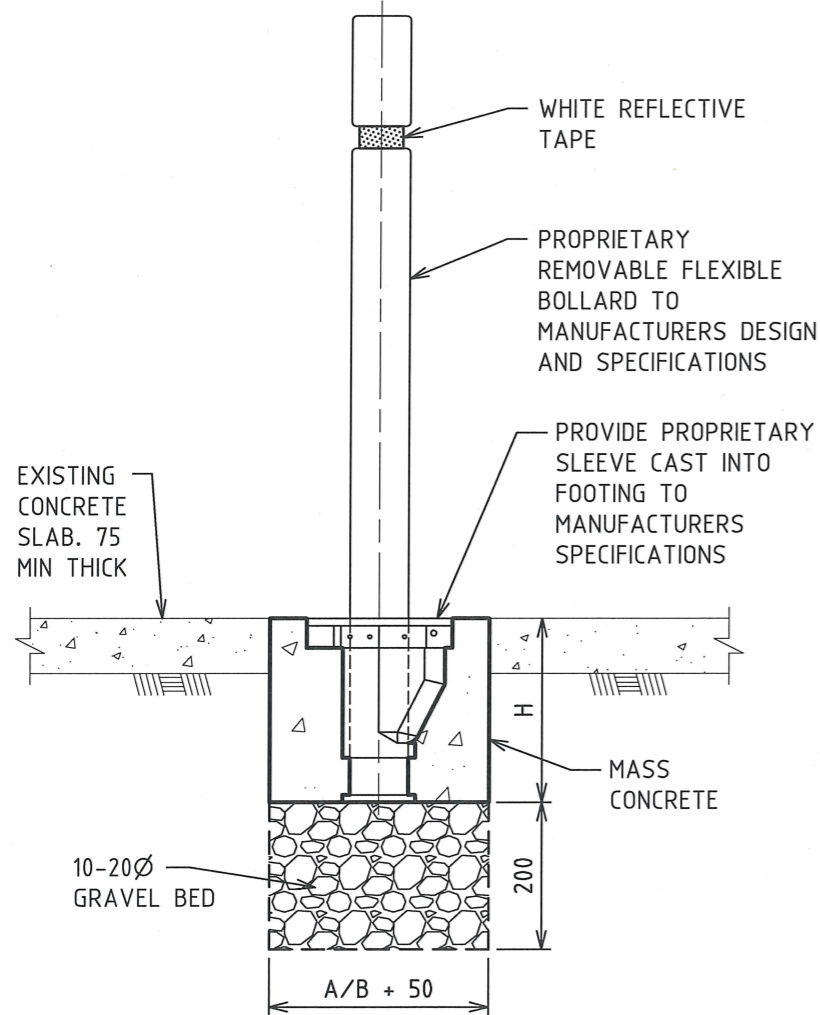


**NOTES**

1. ALL CONCRETE TO BE GRADE N20.
2. ALL FIXINGS SHALL BE INSTALLED IN STRICT ACCORDANCE WITH MANUFACTURERS INSTRUCTIONS.
3. FLEXIBLE BOLLARD IS PROPRIETARY AND SHALL BE INSTALLED IN STRICT ACCORDANCE WITH MANUFACTURERS INSTRUCTIONS.
4. FLEXIBLE BOLLARD SHALL BE BLACK WITH A WHITE REFLECTIVE TAPE TO TOP REBATE

BOLLARD DIAMETER	PLAN WIDTH 'A'	WIDTH 'B'	DEPTH/HEIGHT 'H'
80Ø	200	200	250
100Ø	237	220	255



INSTALLED IN EXISTING CONCRETE PAVEMENT

INSTALLED IN GRASS OR PAVERS

**BOLLARD FLEXIBLE REMOVABLE - FOOTING DETAILS**  
SCALE 1:10

0	CONSTRUCTION	18.08.15	T.A.
No.	AMENDMENT DETAILS	DATE	INITIALS
A3 ORIGINAL THIS SHEET WAS PREPARED IN COLOUR AND WILL BE INCOMPLETE IF COPIED			

SCALE	AS SHOWN
COORDINATE SYSTEM:	HEIGHT DATUM: AHD

**LIVEABLE CITY**  
INFRASTRUCTURE MANAGEMENT SERVICES

REVIEWED: J.C.

APPROVED:

SIGNED: *[Signature]*  
INFRASTRUCTURE MANAGEMENT SERVICES MANAGER

DATE: 21/8/15

**THE CITY OF NEWCASTLE**

**BOLLARD FLEXIBLE REMOVABLE FOOTING DETAILS**

NCC PLAN No.	SHEET No.
A3643	1 OF 1
AMENDMENT No.	SHEETS