

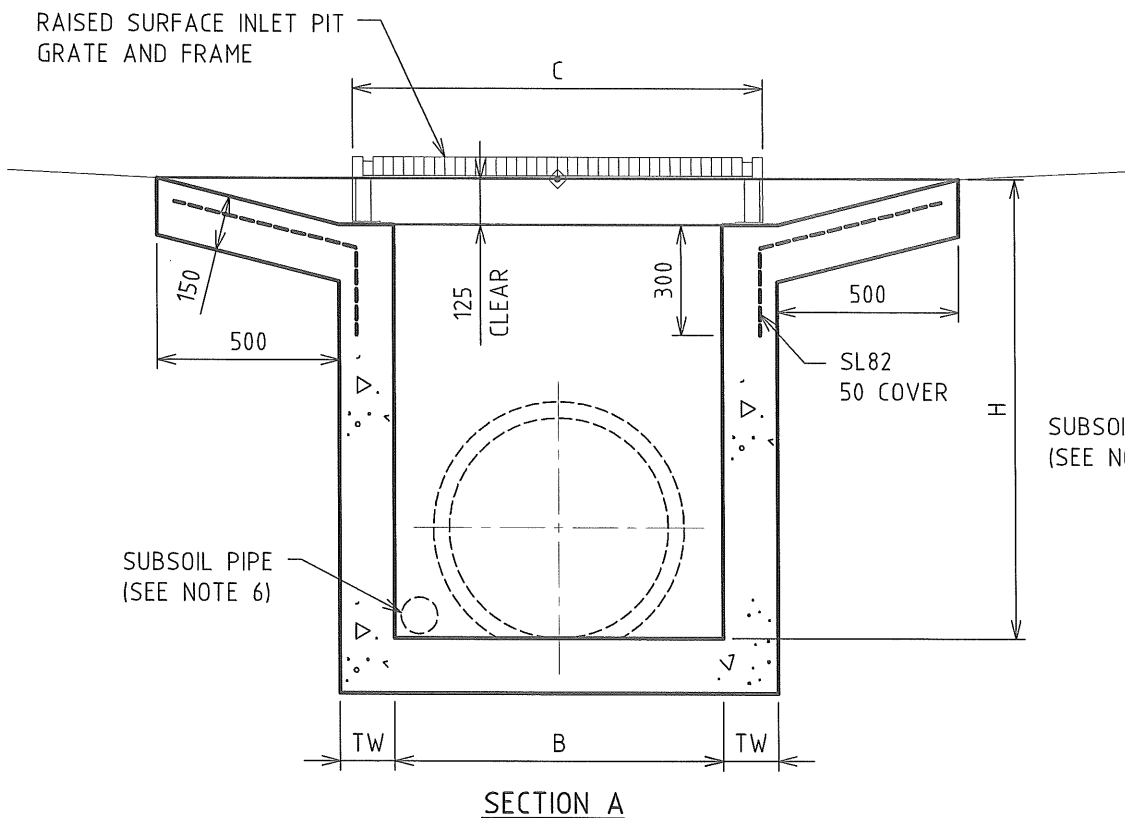
TYPICAL RAISED TOP PIT PLAN
SCALE 1:20

B	H (MAX)	TW	C	R (MIN)	'W' BARS	'X' BARS	'Y' BARS	'Z' BARS
300	-	-	-	-	-	-	-	-
450	-	-	-	-	-	-	-	-
600	900	150	730	55	-	-	-	-
900	1500	150	1020	75	-	-	-	-
900	3500	150	1020	75	2-N12	N12-200**	N12-200	N12-200
900	6000	150	1020	75	2-N12	N12-150**	N12-150	N12-150

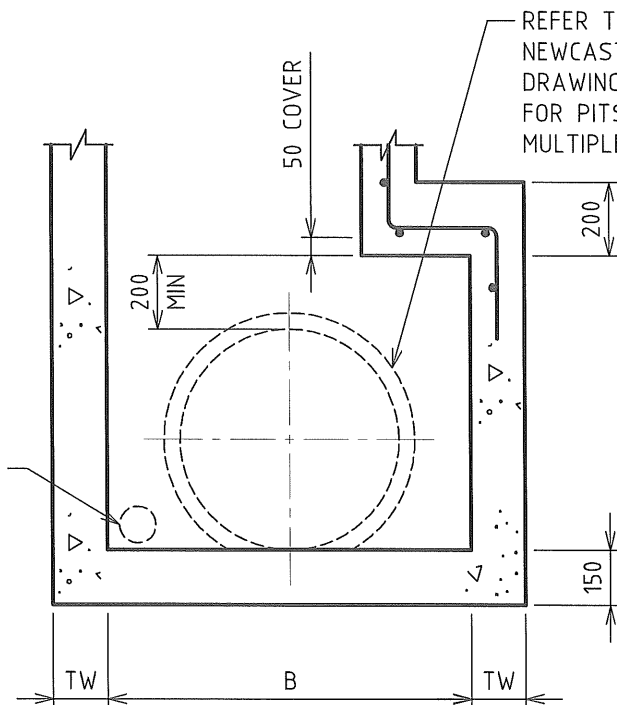
** DENOTES L-BARS WITH 300 LAP

NOTES

1. ALL DIMENSIONS ARE IN MILLIMETRES.
2. CONCRETE FOR UNREINFORCED PITS:
- 25 MPa GRADE N25:80:10 IN ACCORDANCE WITH AS1379.
3. CONCRETE FOR REINFORCED PITS:
- 32 MPa GRADE N32:80:10 IN ACCORDANCE WITH AS1379.
3. CONCRETE FINISHES:
- ALL PEDESTRIAN OR TRAFFICABLE AREAS TO BE NON-SLIP WOOD FLOAT OR BROOM FINISH WITH ALL EXPOSED EDGES ROUNDED TO 5 RADIUS. OTHER EXPOSED SURFACES TO BE OFF STEEL FORM QUALITY.
4. STEEL REINFORCEMENT TO BE GRADE 500 TO AS/NZS4671 GRADE D500N
5. PITS DEEPER THAN 1200 TO BE FITTED WITH STEP IRONS AND 300 CENTRES.
6. 100 DIA SUBSOIL DRAINAGE PIPE 3000 LONG WRAPPED IN FABRIC SOCK TO BE PROVIDED ADJACENT TO INLET PIPES.
7. FOR DETAILS OF CONCRETE AND STEEL REINFORCEMENT FOR PITS GREATER THAN 1.5 METRES IN DEPTH SEE TABLE B.
8. FOUNDING MATERIAL TO ACHIEVE A MINIMUM ALLOWABLE BEARING CAPACITY OF 150KPa

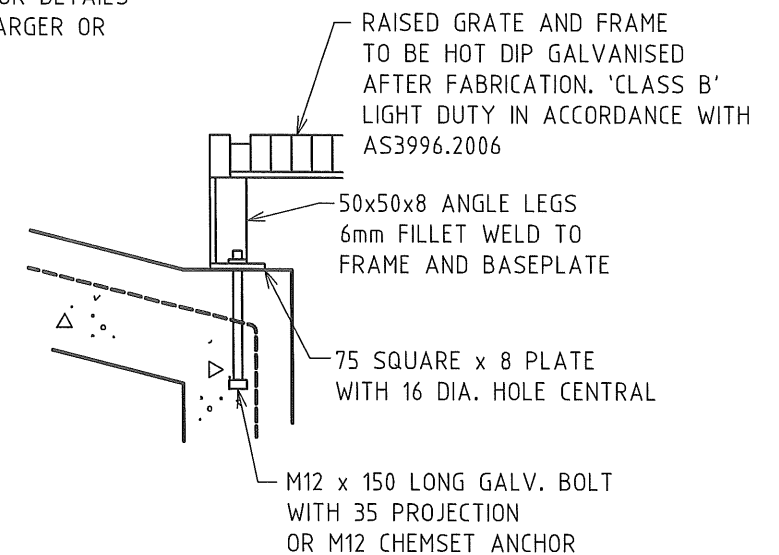


SECTION A



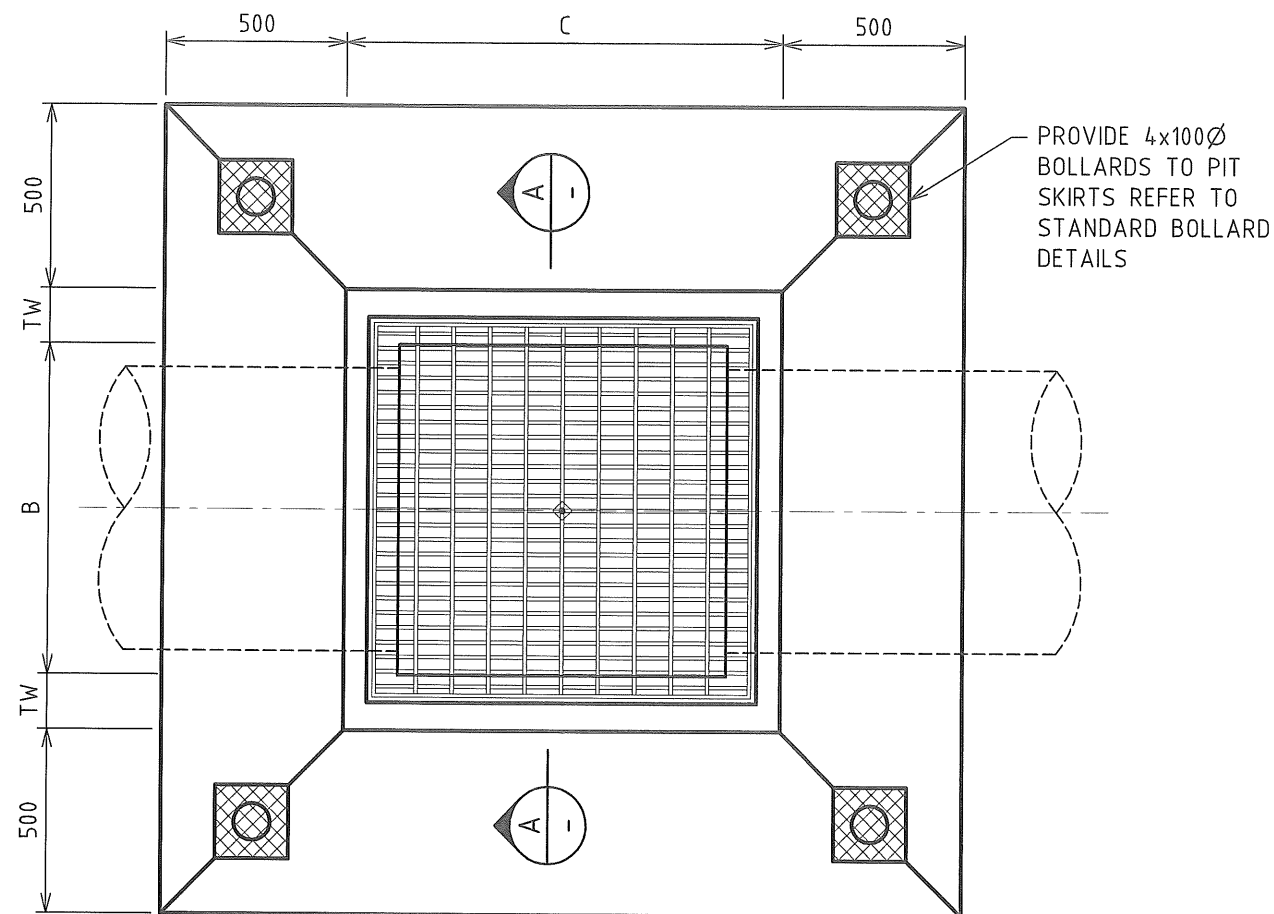
TYPICAL SECTION
SCALE 1:20

LARGE OR MULTIPLE PIPES
PIPES UP TO 1200 DIAMETER



TYPICAL DETAIL
SCALE 1:10

<table border="1"> <tr> <td>1</td> <td>CONSTRUCTION</td> <td>11.06.13</td> <td>J.C.</td> </tr> <tr> <td>0</td> <td>PRELIMINARY - FOR REVIEW AND COMMENT ONLY</td> <td>14.12.12</td> <td>J.C.</td> </tr> <tr> <td>No.</td> <td>AMENDMENT DETAILS</td> <td>DATE</td> <td>INITIALS</td> </tr> </table>				1	CONSTRUCTION	11.06.13	J.C.	0	PRELIMINARY - FOR REVIEW AND COMMENT ONLY	14.12.12	J.C.	No.	AMENDMENT DETAILS	DATE	INITIALS	SCALE AS SHOWN	LIVEABLE CITY INFRASTRUCTURE MANAGEMENT SERVICES	APPROVED: <i>[Signature]</i> SIGNED: INFRASTRUCTURE MANAGEMENT SERVICES MANAGER DATE: 11/6/13	THE CITY OF NEWCASTLE INLET AND SURCHARGE PIT WITH APRON - NON TRAFFICABLE RAISED TOP	NCC PLAN No. A2206	SHEET No. 1 OF 2 SHEETS
1	CONSTRUCTION	11.06.13	J.C.																		
0	PRELIMINARY - FOR REVIEW AND COMMENT ONLY	14.12.12	J.C.																		
No.	AMENDMENT DETAILS	DATE	INITIALS																		
A3 ORIGINAL THIS SHEET WAS PREPARED IN COLOUR AND WILL BE INCOMPLETE IF COPIED				COORDINATE SYSTEM:	HEIGHT DATUM: AHD	REVIEWED: J.C.	AMENDMENT No.														



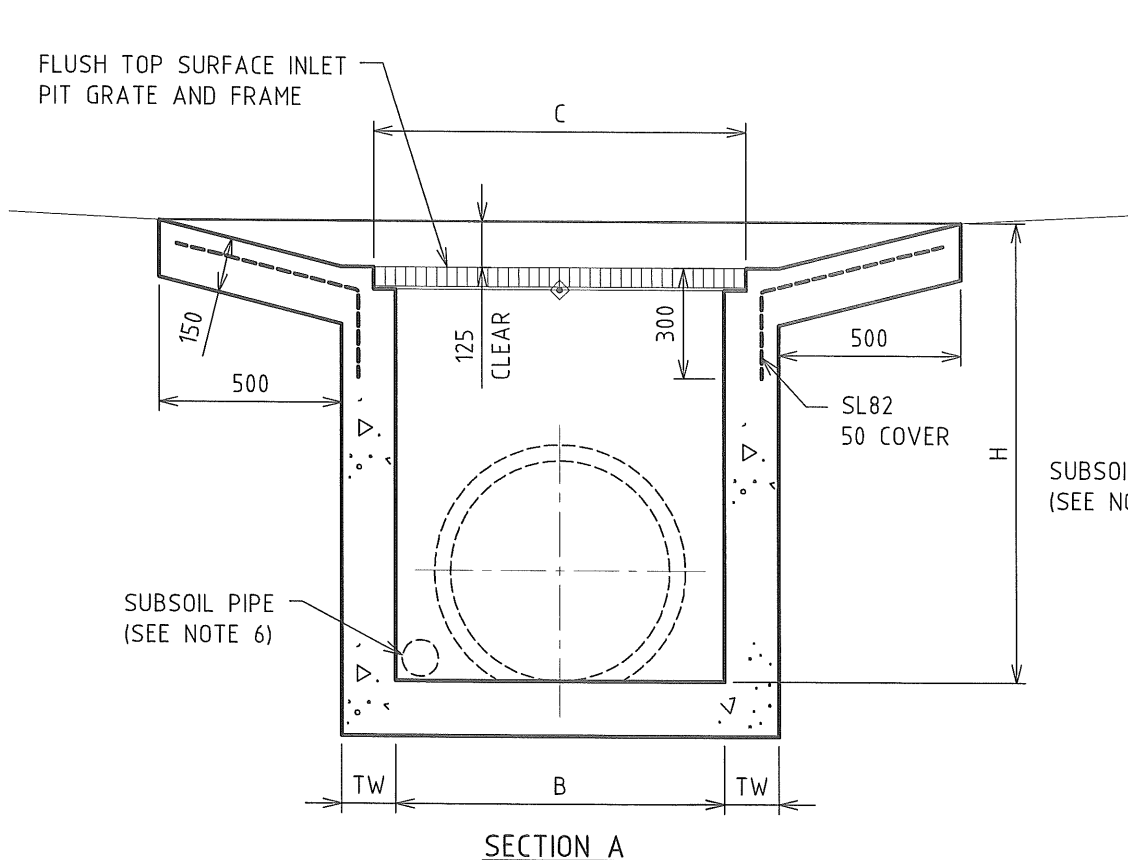
TYPICAL FLUSH TOP PIT PLAN
SCALE 1:20

B	H (MAX)	TW	C	R (MIN)	'W' BARS	'X' BARS	'Y' BARS	'Z' BARS
300	-	-	-	-	-	-	-	-
450	-	-	-	-	-	-	-	-
600	900	150	730	55	-	-	-	-
900	1500	150	1020	75	-	-	-	-
900	3500	150	1020	75	2-N12	N12-200**	N12-200	N12-200
900	6000	150	1020	75	2-N12	N12-150**	N12-150	N12-150

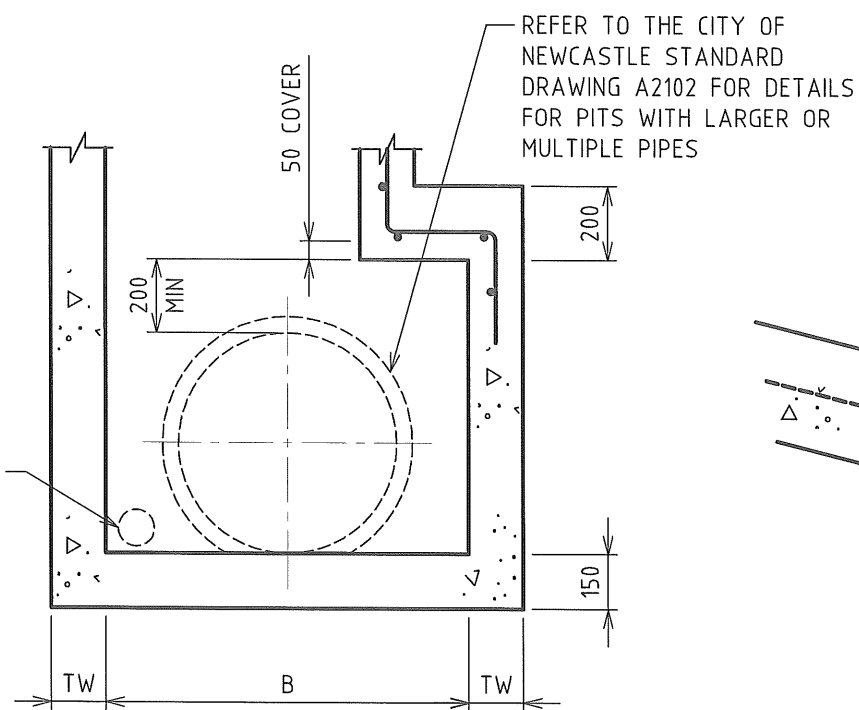
** DENOTES L-BARS WITH 300 LAP

NOTES

- ALL DIMENSIONS ARE IN MILLIMETRES.
- CONCRETE FOR UNREINFORCED PITS:
- 25 MPa GRADE N25:80:10 IN ACCORDANCE WITH AS1379.
- CONCRETE FOR REINFORCED PITS:
- 32 MPa GRADE N32:80:10 IN ACCORDANCE WITH AS1379.
- CONCRETE FINISHES:
- ALL PEDESTRIAN OR TRAFFICABLE AREAS TO BE NON-SLIP WOOD FLOAT OR BROOM FINISH WITH ALL EXPOSED EDGES ROUNDED TO 5 RADIUS. OTHER EXPOSED SURFACES TO BE OFF STEEL FORM QUALITY.
- STEEL REINFORCEMENT TO BE GRADE 500 TO AS/NZS4671 GRADE D500N
- PITS DEEPER THAN 1200 TO BE FITTED WITH STEP IRONS AND 300 CENTRES.
- 100 DIA SUBSOIL DRAINAGE PIPE 3000 LONG WRAPPED IN FABRIC SOCK TO BE PROVIDED ADJACENT TO INLET PIPES.
- FOR DETAILS OF CONCRETE AND STEEL REINFORCEMENT FOR PITS GREATER THAN 1.5 METRES IN DEPTH SEE TABLE B.
- FOUNDING MATERIAL TO ACHIEVE A MINIMUM ALLOWABLE BEARING CAPACITY OF 150KPa

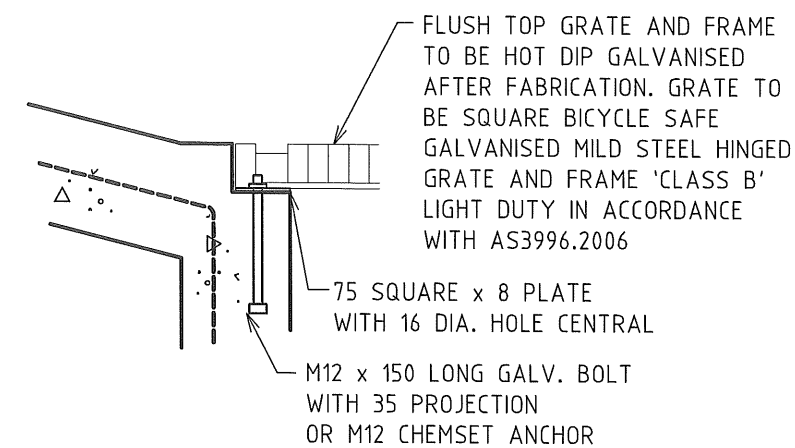


SECTION A



TYPICAL SECTION
SCALE 1:20

LARGE OR MULTIPLE PIPES
PIPES UP TO 1200 DIAMETER



TYPICAL DETAIL
SCALE 1:10

<table border="1"> <tr> <td>1</td> <td>CONSTRUCTION</td> <td>11.06.13</td> <td>J.C.</td> </tr> <tr> <td>0</td> <td>PRELIMINARY - FOR REVIEW AND COMMENT ONLY</td> <td>14.12.12</td> <td>J.C.</td> </tr> <tr> <td>No.</td> <td>AMENDMENT DETAILS</td> <td>DATE</td> <td>INITIALS</td> </tr> </table>				1	CONSTRUCTION	11.06.13	J.C.	0	PRELIMINARY - FOR REVIEW AND COMMENT ONLY	14.12.12	J.C.	No.	AMENDMENT DETAILS	DATE	INITIALS	SCALE AS SHOWN	LIVEABLE CITY INFRASTRUCTURE MANAGEMENT SERVICES	APPROVED: <i>[Signature]</i> SIGNED: INFRASTRUCTURE MANAGEMENT SERVICES MANAGER DATE: 11/6/13	THE CITY OF NEWCASTLE INLET AND SURCHARGE PIT WITH APRON - NON TRAFFICABLE FLUSH TOP	NCC PLAN No. A2206	SHEET No. 2 OF 2 SHEETS
1	CONSTRUCTION	11.06.13	J.C.																		
0	PRELIMINARY - FOR REVIEW AND COMMENT ONLY	14.12.12	J.C.																		
No.	AMENDMENT DETAILS	DATE	INITIALS																		
A3 ORIGINAL THIS SHEET WAS PREPARED IN COLOUR AND WILL BE INCOMPLETE IF COPIED				COORDINATE SYSTEM:	HEIGHT DATUM: AHD	REVIEWED: J.C.	AMENDMENT No.														