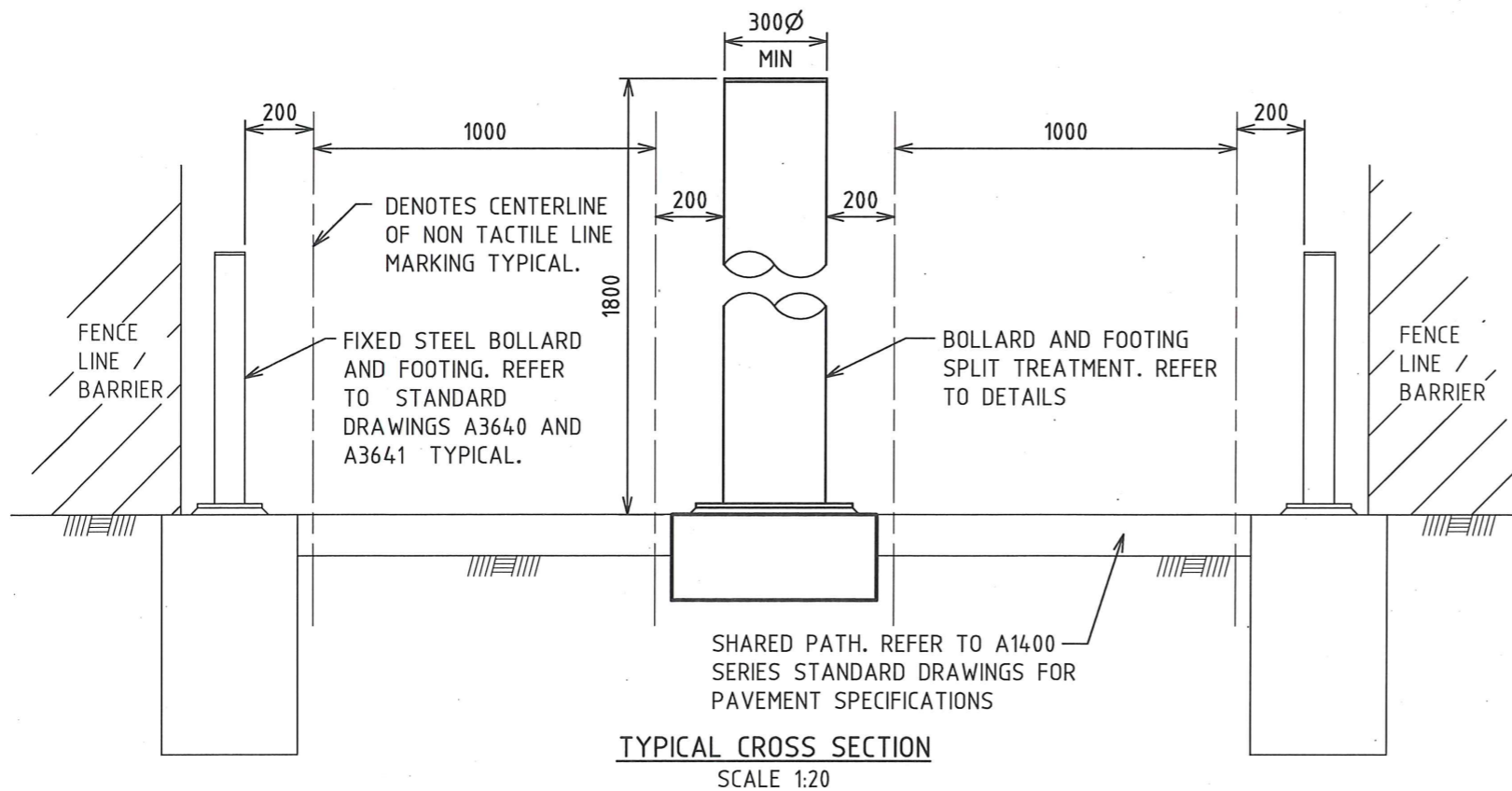


SHARED PATH TERMINATION - BOLLARD SPLIT TREATMENT
SCALE 1:75



TYPICAL CROSS SECTION
SCALE 1:20

NOTES

FIXTURES/FITTINGS/METALWORK NOTES:

1. ALL FIXTURES/FITTINGS ARE TO BE HOT DIPPED GALVANIZED UNLESS NOTED OR DETAILED OTHERWISE.
2. GRIND SMOOTH EDGES AND WELDS PRIOR TO HOT DIPPED GALVANIZING AND OTHER APPLIED FINISHES.
3. ALL WELDS ARE TO 4mm CONTINUOUS FILLET WELDS FROM E41XX ELECTRODES, GROUND OFF SMOOTH AND FLUSH.
4. WHERE POSSIBLE ALL FIXINGS TO BE TAMPER/VANDAL PROOF TO MINIMISE DAMAGE OR THEFT.
5. ALL STEELWORK TO BE PAINTED "YELLOW GOLD". REFER TO PAINT SPECIFICATIONS ON STANDARD DRAWING A3800

1	GENERAL REVISION	05.07.16	T.A.
0	CONSTRUCTION	18.08.15	T.A.
No.	AMENDMENT DETAILS	DATE	INITIALS

SCALE	AS SHOWN
COORDINATE SYSTEM:	HEIGHT DATUM: AHD

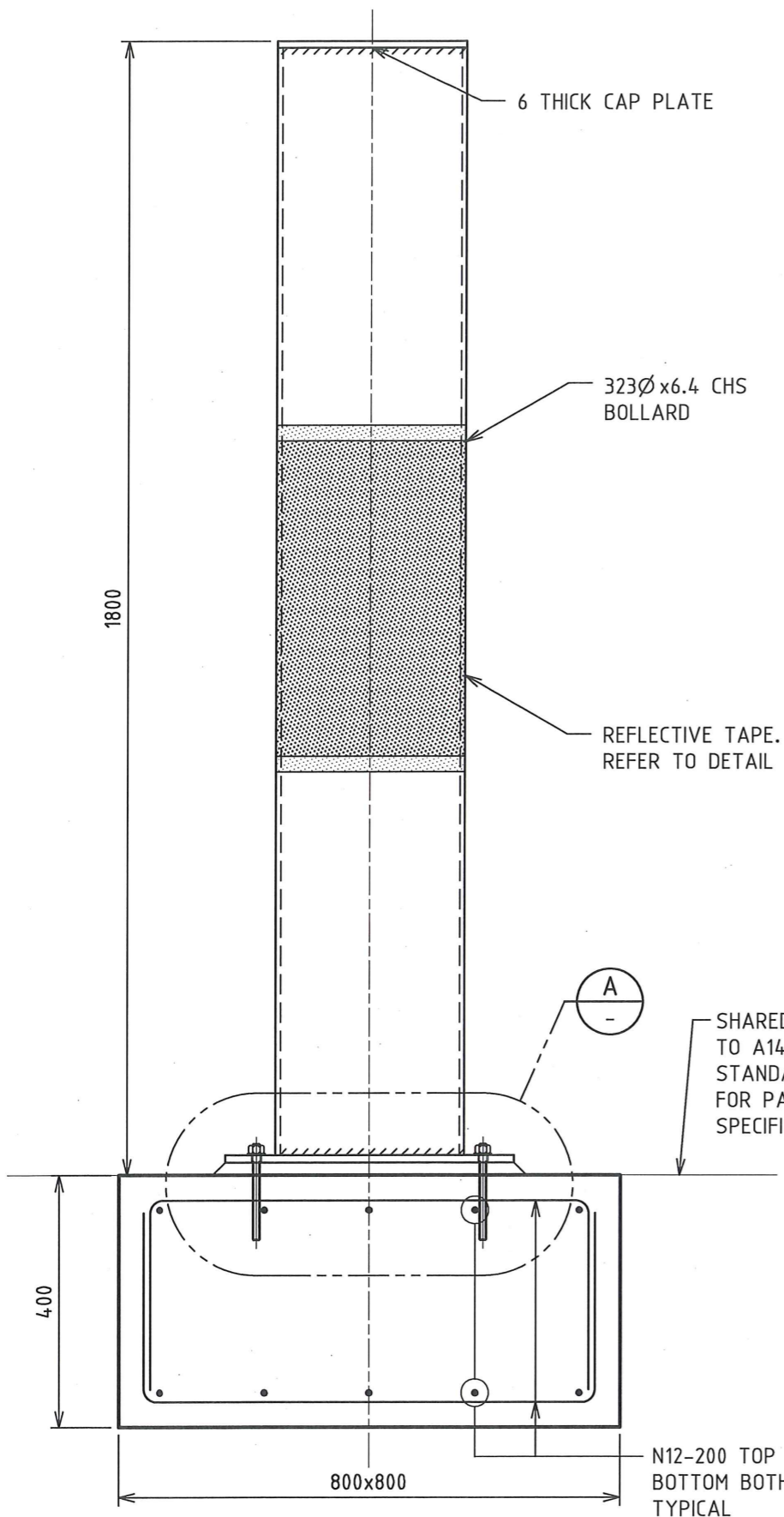
INFRASTRUCTURE MANAGEMENT SERVICES
 REVIEWED: J.C.

APPROVED:
 SIGNED:
 INFRASTRUCTURE MANAGEMENT SERVICES MANAGER
 DATE: 29.09.2016

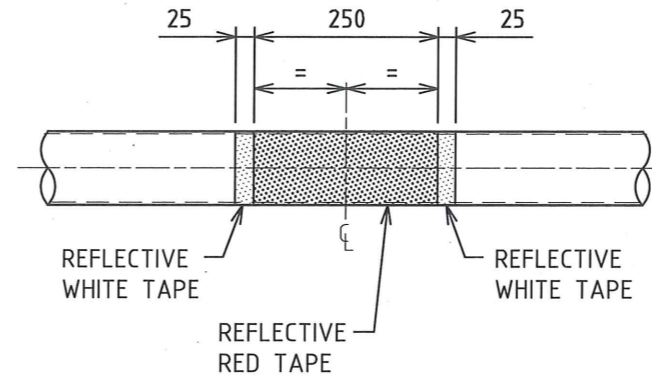
THE CITY OF NEWCASTLE
SHARED PATH TERMINATION
BOLLARD SPLIT TREATMENT

NCC PLAN No.	A1701	SHEET No.	1 OF 2 SHEETS
AMENDMENT No.			

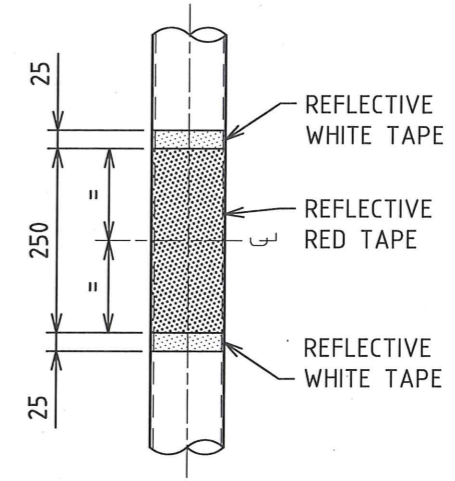
A3 ORIGINAL THIS SHEET WAS PREPARED IN COLOUR AND WILL BE INCOMPLETE IF COPIED



BOLLARD DETAIL
SCALE 1:10

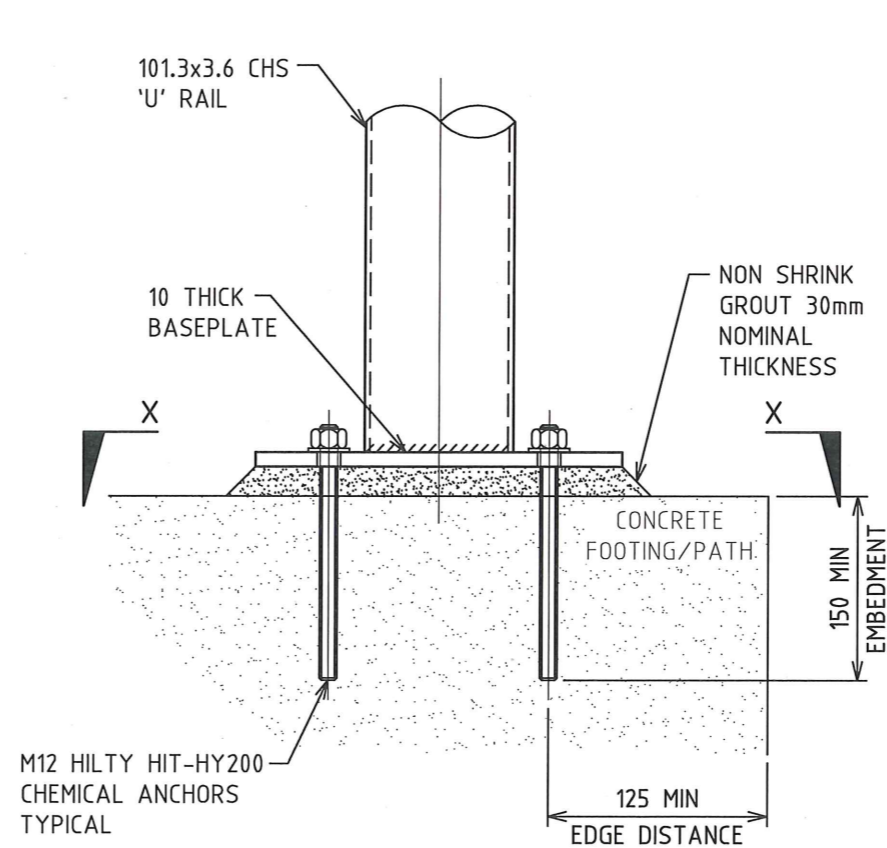


HORIZONTAL RAIL

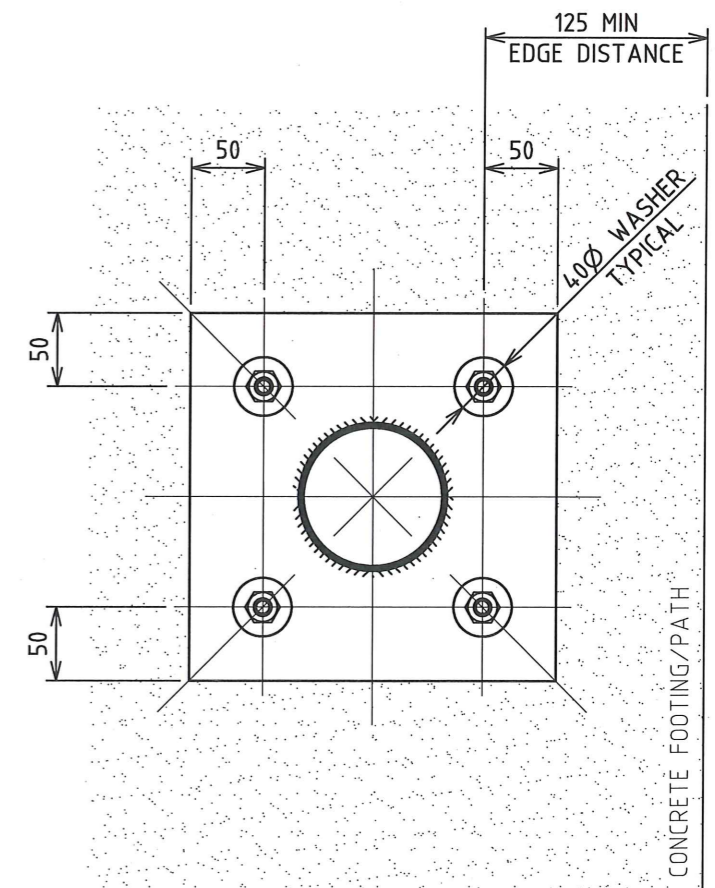


VERTICAL RAIL

REFLECTIVE TAPE DETAILS
SCALE 1:10




DETAIL A
SCALE 1:5



VIEW X - X
SCALE 1:5

No.	AMENDMENT DETAILS	DATE	INITIALS
1	GENERAL REVISION	05.07.16	T.A.
0	CONSTRUCTION	18.08.15	T.A.

SCALE	AS SHOWN
COORDINATE SYSTEM:	HEIGHT DATUM: AHD



 INFRASTRUCTURE MANAGEMENT SERVICES
 REVIEWED: J.C.

APPROVED: 
 SIGNED: _____
 INFRASTRUCTURE MANAGEMENT SERVICES MANAGER
 DATE: 27.09.2016

THE CITY OF NEWCASTLE
SHARED PATH TERMINATION
BOLLARD SPLIT TREATMENT

NCC PLAN No.	A1701	SHEET No.	2
AMENDMENT No.		OF	2
		SHEETS	2

A3 ORIGINAL THIS SHEET WAS PREPARED IN COLOUR AND WILL BE INCOMPLETE IF COPIED