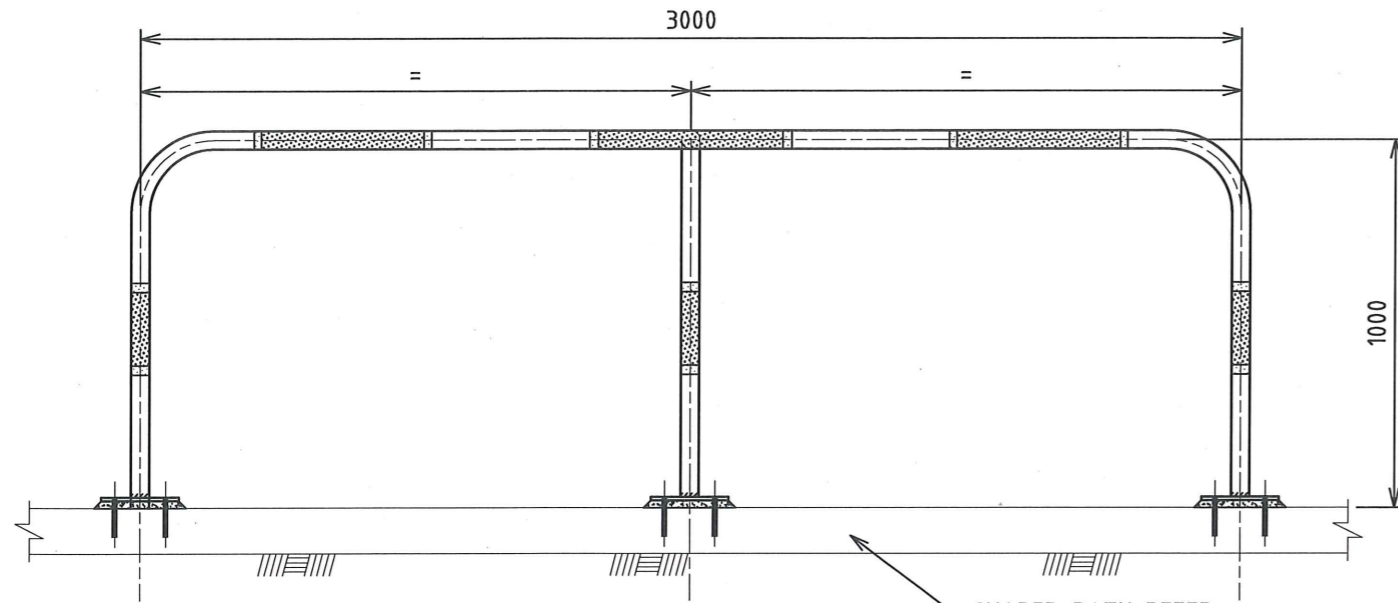


**NOTES**

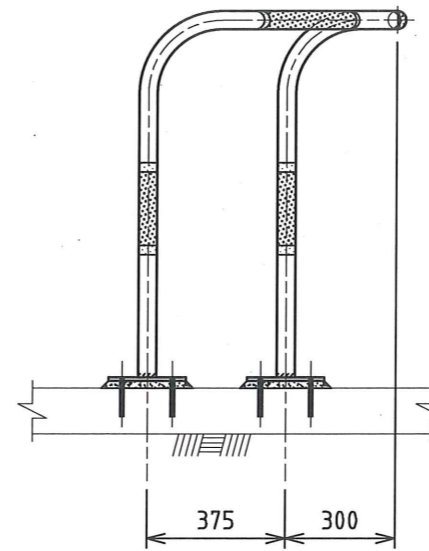
- FIXTURES/FITTINGS/METALWORK NOTES:**
1. ALL FIXTURES/FITTINGS ARE TO BE HOT DIPPED GALVANIZED UNLESS NOTED OR DETAILED OTHERWISE.
  2. GRIND SMOOTH EDGES AND WELDS PRIOR TO HOT DIPPED GALVANIZING AND OTHER APPLIED FINISHES.
  3. ALL WELDS ARE TO 4mm CONTINUOUS FILLET WELDS FROM E41XX ELECTRODES, GROUND OFF SMOOTH AND FLUSH.
  4. WHERE POSSIBLE ALL FIXINGS TO BE TAMPER/VANDAL PROOF TO MINIMISE DAMAGE OR THEFT.
  5. ALL STEELWORK TO BE PAINTED "YELLOW GOLD". REFER TO PAINT SPECIFICATIONS ON STANDARD DRAWING A3800.

<table border="1"> <tr> <td>1</td> <td>GENERAL REVISION</td> <td>05.07.16</td> <td>T.A.</td> </tr> <tr> <td>0</td> <td>CONSTRUCTION</td> <td>18.08.15</td> <td>T.A.</td> </tr> <tr> <td>No.</td> <td>AMENDMENT DETAILS</td> <td>DATE</td> <td>INITIALS</td> </tr> </table>			1	GENERAL REVISION	05.07.16	T.A.	0	CONSTRUCTION	18.08.15	T.A.	No.	AMENDMENT DETAILS	DATE	INITIALS	SCALE AS SHOWN	INFRASTRUCTURE MANAGEMENT SERVICES	APPROVED: SIGNED: ..... INFRASTRUCTURE MANAGEMENT SERVICES MANAGER DATE: 29.09.2016	<b>THE CITY OF NEWCASTLE</b> <b>SHARED PATH TERMINATION DEFLECTION RAILS</b>	NCC PLAN No. <b>A1702</b>	SHEET No. 1 OF 2 SHEETS
1	GENERAL REVISION	05.07.16	T.A.																	
0	CONSTRUCTION	18.08.15	T.A.																	
No.	AMENDMENT DETAILS	DATE	INITIALS																	
A3 ORIGINAL THIS SHEET WAS PREPARED IN COLOUR AND WILL BE INCOMPLETE IF COPIED		COORDINATE SYSTEM:	HEIGHT DATUM: AHD	REVIEWED: J.C.	AMENDMENT No.															

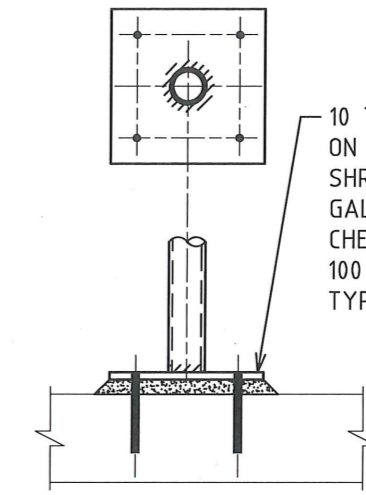


**FRONT ELEVATION**  
SCALE 1:20

SHARED PATH REFER  
TO STANDARD  
DRAWING A1406

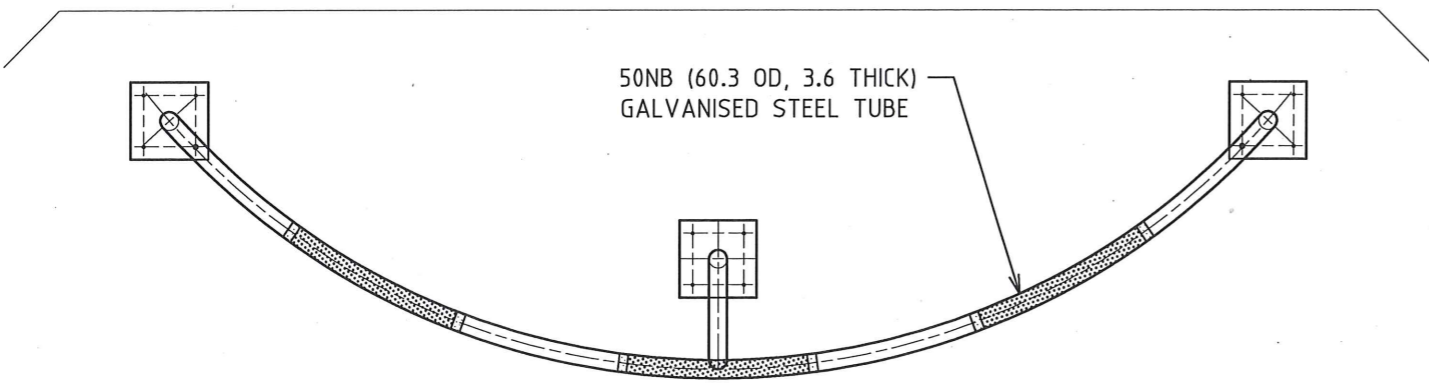


**SIDE ELEVATION**  
SCALE 1:20



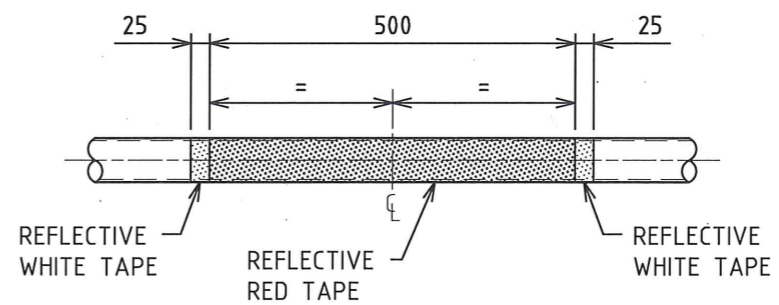
**BASEPLATE DETAIL**  
SCALE 1:10

10 THICK BASEPLATE  
ON 20 MIN NON  
SHRINK GROUT 2-M12  
GALVANISED  
CHEMICAL ANCHORS  
100 MIN EMBEDMENT  
TYPICAL

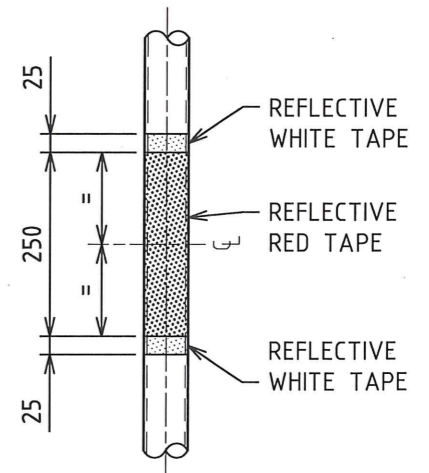


**PLAN VIEW**  
SCALE 1:20

50NB (60.3 OD, 3.6 THICK)  
GALVANISED STEEL TUBE



**HORIZONTAL RAIL**



**VERTICAL RAIL**

**REFLECTIVE TAPE DETAILS**  
SCALE 1:10

No.	AMENDMENT DETAILS	DATE	INITIALS
1	GENERAL REVISION	05.07.16	T.A.
0	CONSTRUCTION	18.08.15	T.A.

SCALE  
**AS SHOWN**

COORDINATE SYSTEM:      HEIGHT DATUM: AHD

**The City of Newcastle**  
INFRASTRUCTURE  
MANAGEMENT SERVICES

REVIEWED: J.C.

APPROVED: *[Signature]*

SIGNED: *[Signature]*  
INFRASTRUCTURE MANAGEMENT SERVICES MANAGER  
DATE: 29.09.2016

**THE CITY OF NEWCASTLE**  
**SHARED PATH TERMINATION  
DEFLECTION RAILS**

NCC PLAN No.  
**A1702**

AMENDMENT No.

SHEET No.  
2  
OF  
2  
SHEETS

A3 ORIGINAL THIS SHEET WAS PREPARED IN COLOUR AND WILL BE INCOMPLETE IF COPIED