

NOTES

1. REFER TO DRAWING A2400 FOR NOTES AND SPECIFICATIONS

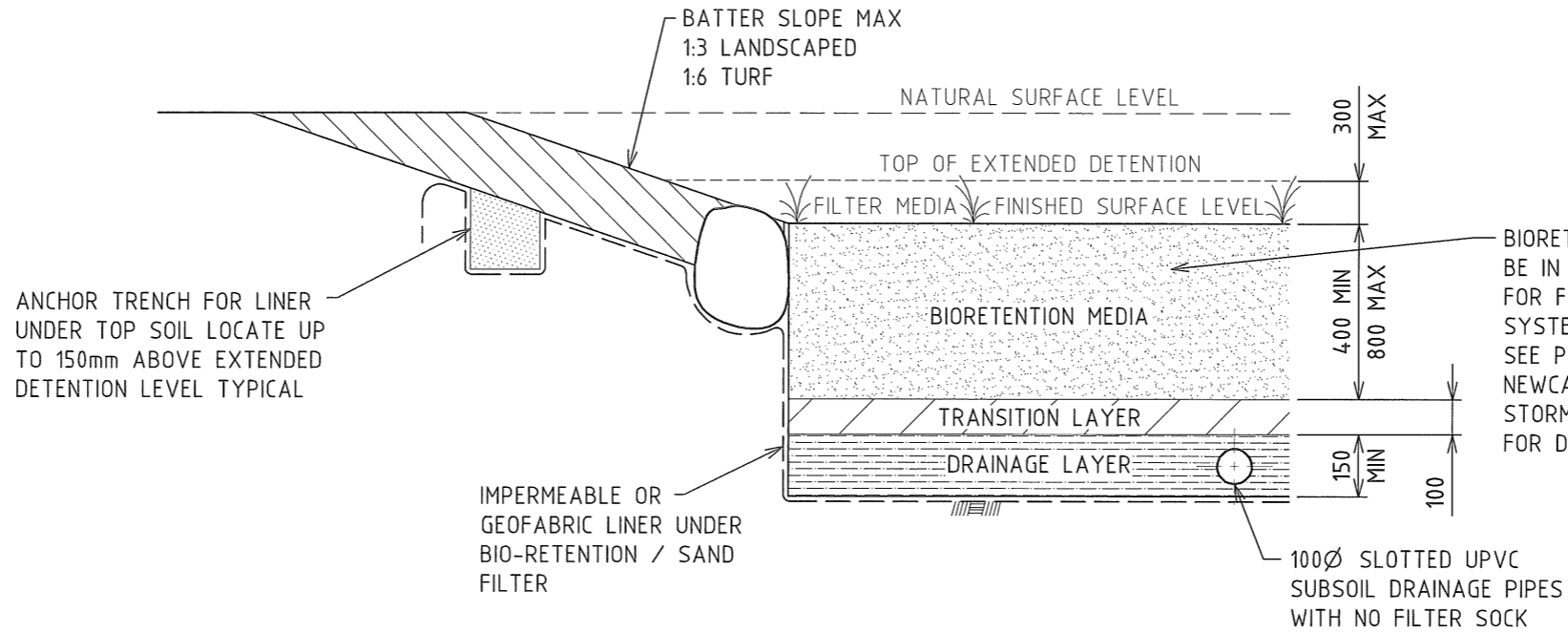
REFERENCES

1. SYDNEY METROPOLITAN CATCHMENT MANAGEMENT AUTHORITY (TYPICAL DRAWINGS FOR WSUD)
 2. HEALTHY WATERWAYS PARTNERSHIP (WSUD TECHNICAL DESIGN GUIDELINES FOR SOUTH EAST QLD) - <http://waterbydesign.com.au/techguide/>

ALL WSUD DEVICES AND ELEMENTS ARE TO BE DESIGNED IN ACCORDANCE WITH THE CITY OF NEWCASTLE TECHNICAL MANUAL FOR STORMWATER AND WATER EFFICIENCY FOR DEVELOPMENT

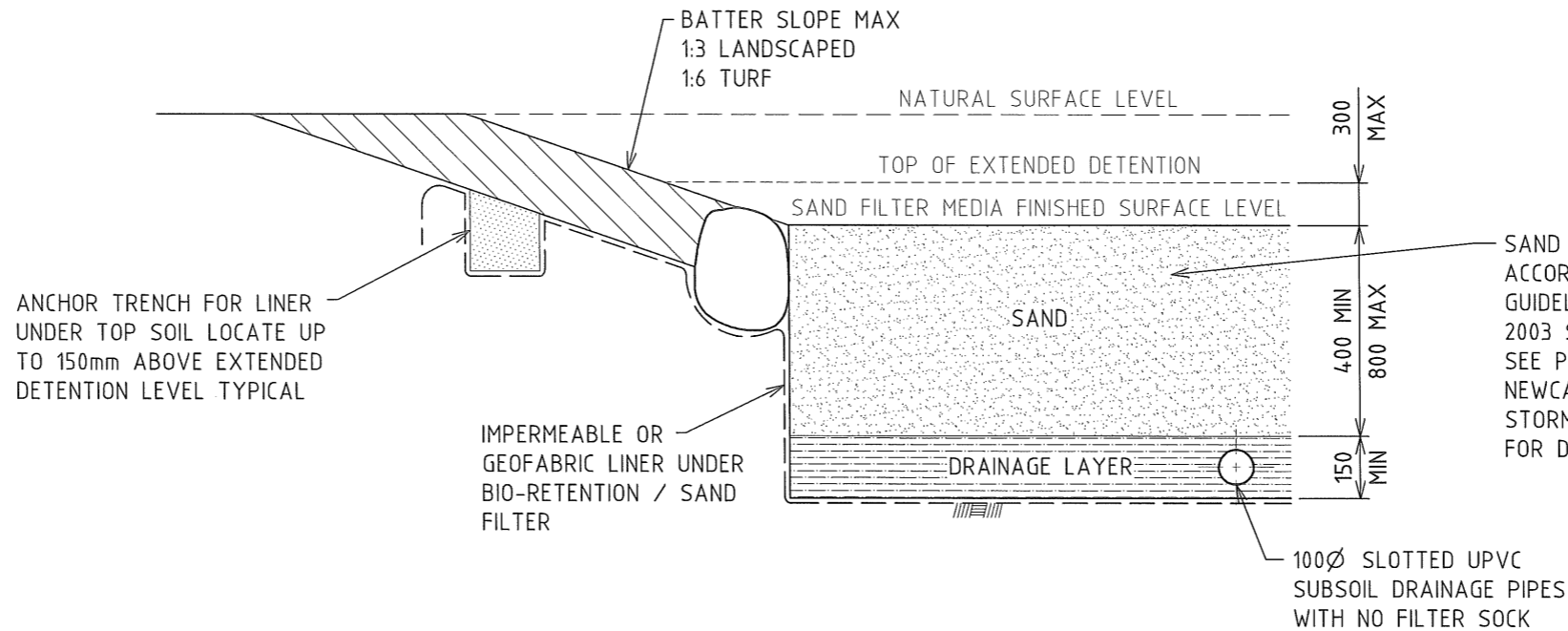
BIORETENTION DEVICES ARE TO BE DESIGNED SO THAT FLOW RATE FOR MAJOR STORM EVENT IS LESS THEN 2m/s. FOR A 1 IN 6 MONTH EVENT VELOCITY IS TO BE NO GREATER THEN 0.5m/s

ALL BIOFILTRATION DEVICES TO BE VEGETATED SEE APPENDIX 4 OF THE CITY OF NEWCASTLE TECHNICAL MANUAL FOR STORMWATER AND WATER EFFICIENCY FOR DEVELOPMENT



BIORETENTION MEDIA SPECIFICATIONS TO BE IN ACCORDANCE WITH THE GUIDELINES FOR FILTER MEDIA IN BIOFILTRATION SYSTEMS (2009). SEE PART 4C OF THE CITY OF NEWCASTLE TECHNICAL MANUAL FOR STORMWATER AND WATER EFFICIENCY FOR DEVELOPMENT

DETAIL 4 - OPTION 1
FOR BIORETENTION DEVICE
 SCALE 1:20



SAND FILTER SPECIFICATIONS TO BE IN ACCORDANCE WITH THE WSUD TECHNICAL GUIDELINES FOR SEQ VERSION 1 JUNE 2003 SECTION 8.3.4.1. SEE PART C OF THE CITY OF NEWCASTLE TECHNICAL MANUAL FOR STORMWATER AND WATER EFFICIENCY FOR DEVELOPMENT

DETAIL 4 - OPTION 2
FOR SAND FILTER DEVICE
 SCALE 1:20

ALL DIMENSIONS ARE IN MILLIMETRES UNLESS NOTED OTHERWISE

				SCALE	LIVEABLE CITY INFRASTRUCTURE MANAGEMENT SERVICES	APPROVED: INFRASTRUCTURE MANAGEMENT SERVICES MANAGER DATE: 11/6/13	THE CITY OF NEWCASTLE WSUD BIORETENTION AND SAND FILTER SYSTEM WITHIN BASIN DETAILS	NCC PLAN No.	SHEET No.
				AS SHOWN				REVIEWED: J.C.	A2406
1	CONSTRUCTION	11.06.13	J.C.						
0	PRELIMINARY - FOR REVIEW AND COMMENT ONLY	11.01.13	J.C.						
No.	AMENDMENT DETAILS	DATE	INITIALS						
A3 ORIGINAL THIS SHEET WAS PREPARED IN COLOUR AND WILL BE INCOMPLETE IF COPIED				COORDINATE SYSTEM:	HEIGHT DATUM: AHD				