

**NOTES**

1. REFER TO DRAWING A2400 FOR NOTES AND SPECIFICATIONS

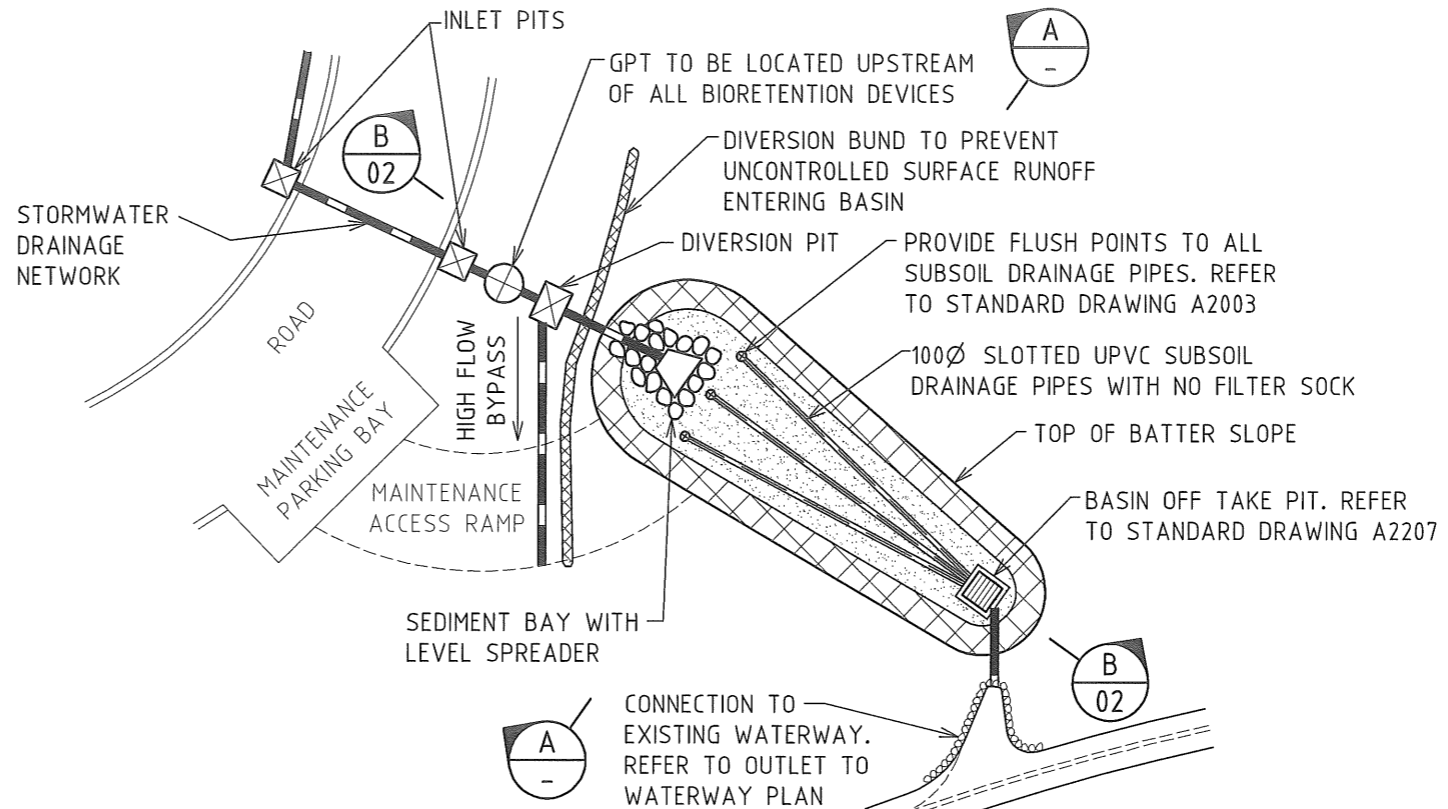
**REFERENCES**

1. SYDNEY METROPOLITAN CATCHMENT MANAGEMENT AUTHORITY (TYPICAL DRAWINGS FOR WSUD)
2. FACULTY FOR ADVANCED WATER BIORETENTION 2008 (GUIDELINES FOR SOIL FILTER MEDIA IN BIORETENTION SYSTEMS)

ALL WSUD DEVICES AND ELEMENTS ARE TO BE DESIGNED IN ACCORDANCE WITH THE CITY OF NEWCASTLE TECHNICAL MANUAL FOR STORMWATER AND WATER EFFICIENCY FOR DEVELOPMENT

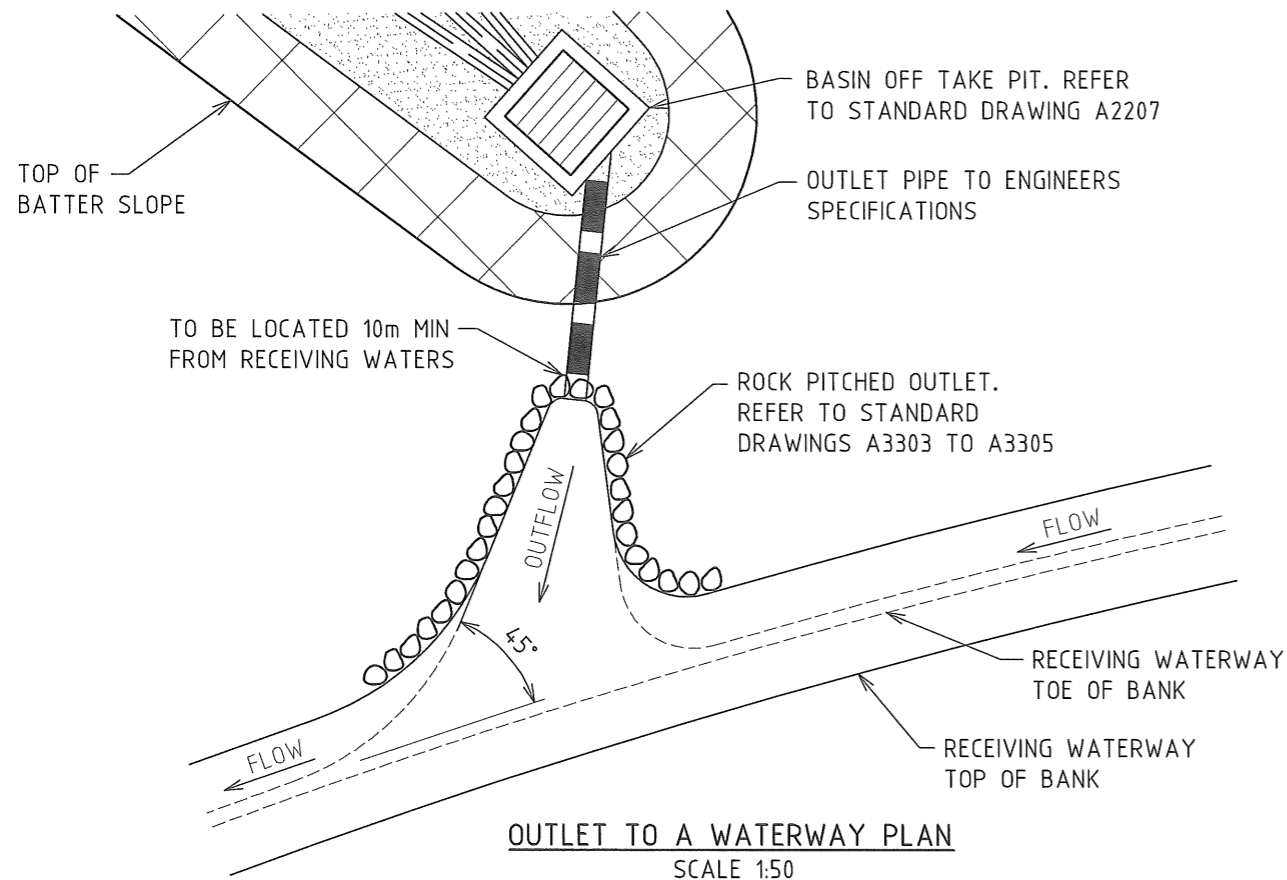
BIORETENTION DEVICES ARE TO BE DESIGNED SO THAT VELOCITY FOR MAJOR STORM EVENT IS LESS THEN 2m/s. FOR A 1 IN 6 MONTH EVENT VELOCITY IS TO BE NO GREATER THEN 0.5m/s

ALL BIOFILTRATION DEVICES TO BE VEGETATED SEE APPENDIX 4 OF THE CITY OF NEWCASTLE TECHNICAL MANUAL FOR STORMWATER AND WATER EFFICIENCY FOR DEVELOPMENT



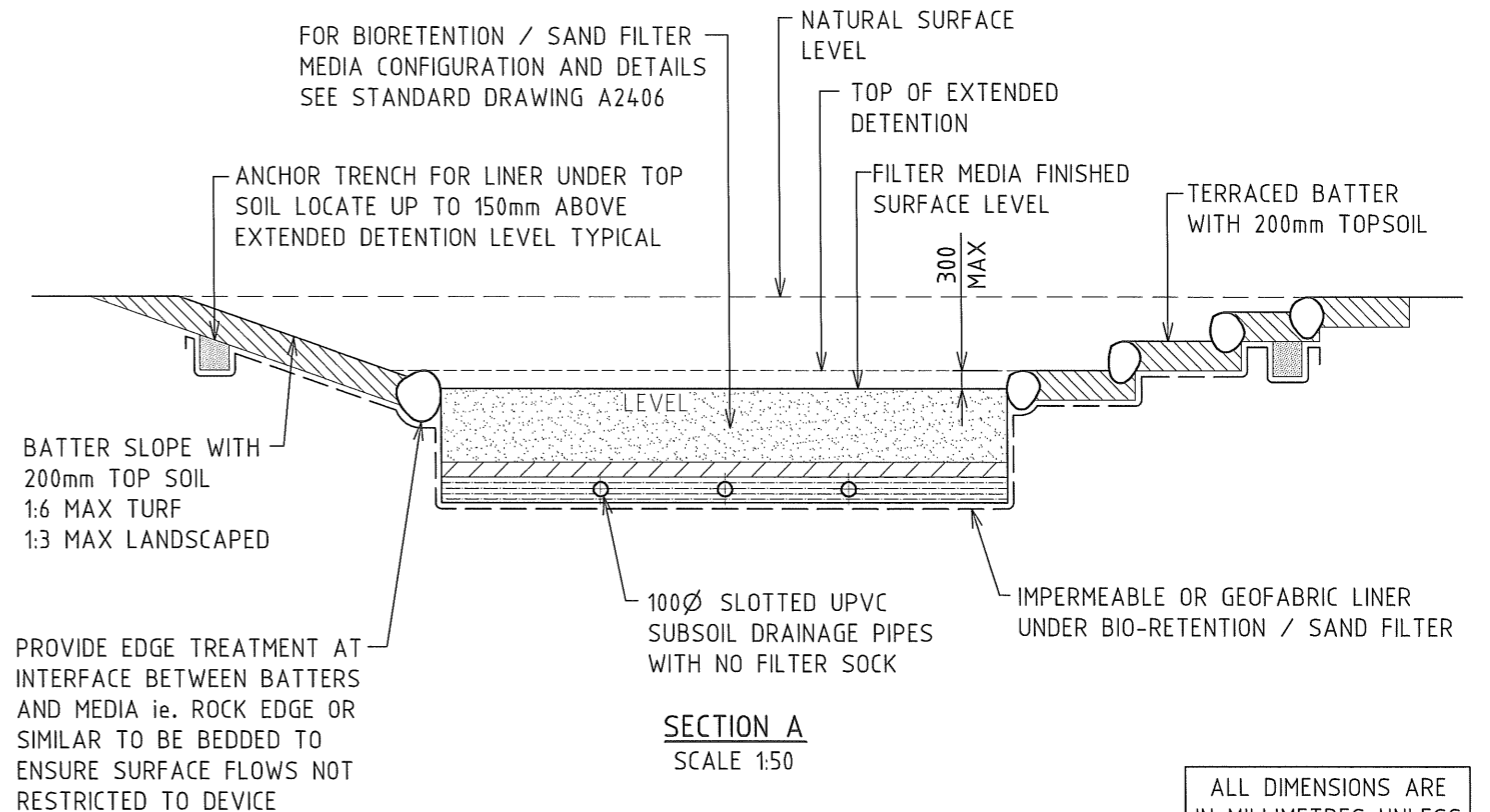
**BIORETENTION OR SAND FILTER FOR FLAT SITE BASIN CONFIGURATION PLAN**

SCALE 1:150



**OUTLET TO A WATERWAY PLAN**

SCALE 1:50

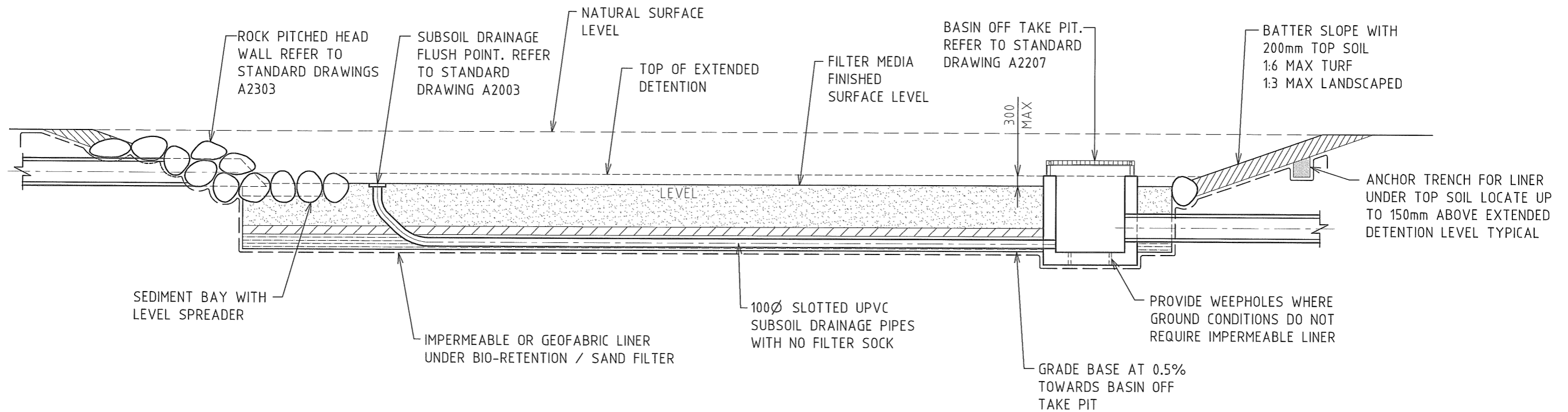


**SECTION A**

SCALE 1:50

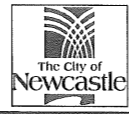

ALL DIMENSIONS ARE IN MILLIMETRES UNLESS NOTED OTHERWISE

<table border="1"> <tr> <td>1</td> <td>CONSTRUCTION</td> <td>11.06.13</td> <td>J.C.</td> </tr> <tr> <td>0</td> <td>PRELIMINARY - FOR REVIEW AND COMMENT ONLY</td> <td>11.01.13</td> <td>J.C.</td> </tr> <tr> <td>No.</td> <td>AMENDMENT DETAILS</td> <td>DATE</td> <td>INITIALS</td> </tr> </table>				1	CONSTRUCTION	11.06.13	J.C.	0	PRELIMINARY - FOR REVIEW AND COMMENT ONLY	11.01.13	J.C.	No.	AMENDMENT DETAILS	DATE	INITIALS	<p>SCALE <b>AS SHOWN</b></p>	<p>LIVEABLE CITY INFRASTRUCTURE MANAGEMENT SERVICES</p>	<p>APPROVED:</p> <p>SIGNED: ..... INFRASTRUCTURE MANAGEMENT SERVICES MANAGER DATE: 11/6/13</p>	<p><b>THE CITY OF NEWCASTLE</b></p> <p>WSUD BASIN CONFIGURATION FOR BIORETENTION OR SAND FILTER - FLAT SITE</p>	<p>NCC PLAN No. <b>A2401</b></p>	<p>SHEET No. 1 OF 2 SHEETS</p>
1	CONSTRUCTION	11.06.13	J.C.																		
0	PRELIMINARY - FOR REVIEW AND COMMENT ONLY	11.01.13	J.C.																		
No.	AMENDMENT DETAILS	DATE	INITIALS																		
<p>A3 ORIGINAL THIS SHEET WAS PREPARED IN COLOUR AND WILL BE INCOMPLETE IF COPIED</p>				<p>COORDINATE SYSTEM:</p>	<p>HEIGHT DATUM: AHD</p>	<p>REVIEWED: J.C.</p>	<p>AMENDMENT No.</p>														



SECTION B  
 (REFER DRAWING 1 OF 2)  
 SCALE 1:50

ALL DIMENSIONS ARE  
 IN MILLIMETRES UNLESS  
 NOTED OTHERWISE

				SCALE	 LIVEABLE CITY INFRASTRUCTURE MANAGEMENT SERVICES	APPROVED:  SIGNED:..... INFRASTRUCTURE MANAGEMENT SERVICES MANAGER DATE: 11/16/13	<b>THE CITY OF NEWCASTLE</b> WSUD BASIN CONFIGURATION FOR BIORETENTION OR SAND FILTER - FLAT SITE	NCC PLAN No.	SHEET No.
				AS SHOWN					A2401
1	CONSTRUCTION	11.06.13	J.C.						
0	PRELIMINARY - FOR REVIEW AND COMMENT ONLY	11.01.13	J.C.						
No.	AMENDMENT DETAILS	DATE	INITIALS						
A3 ORIGINAL THIS SHEET WAS PREPARED IN COLOUR AND WILL BE INCOMPLETE IF COPIED				COORDINATE SYSTEM:	HEIGHT DATUM: AHD	REVIEWED: J.C.		AMENDMENT No.	