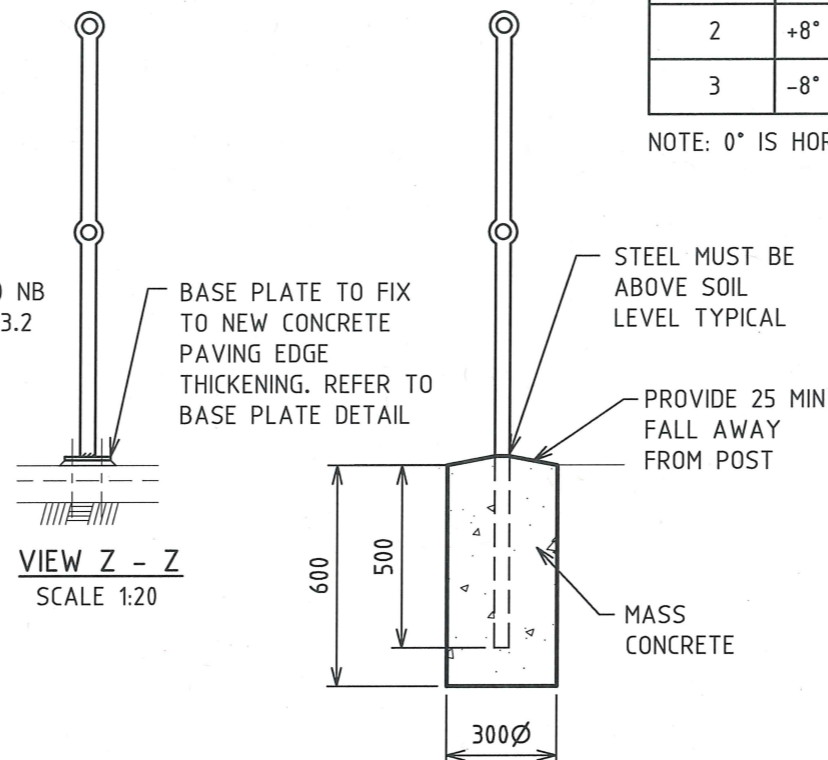


ELEVATION  
GALVANISED STEEL TUBE FENCE  
SCALE 1:20

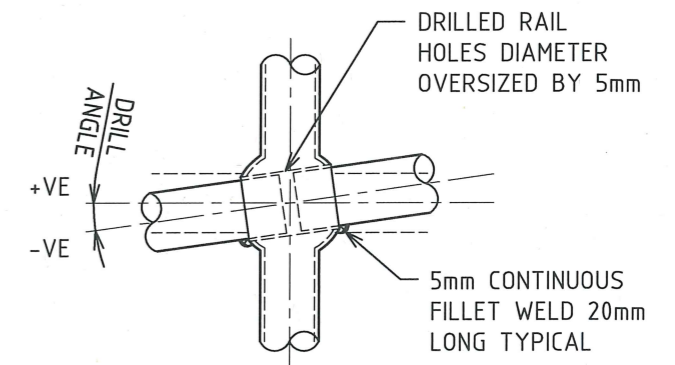


VIEW Z - Z  
SCALE 1:20

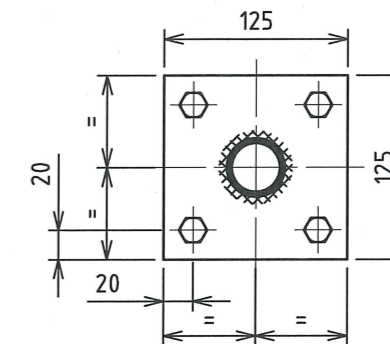
VIEW Y - Y  
SCALE 1:20

POST TYPE	RAIL GRADES	DRILL ANGLE
1	0° TO +/-4°	0°
2	+8° TO +12°	+8°
3	-8° TO -12°	-8°

NOTE: 0° IS HORIZONTAL



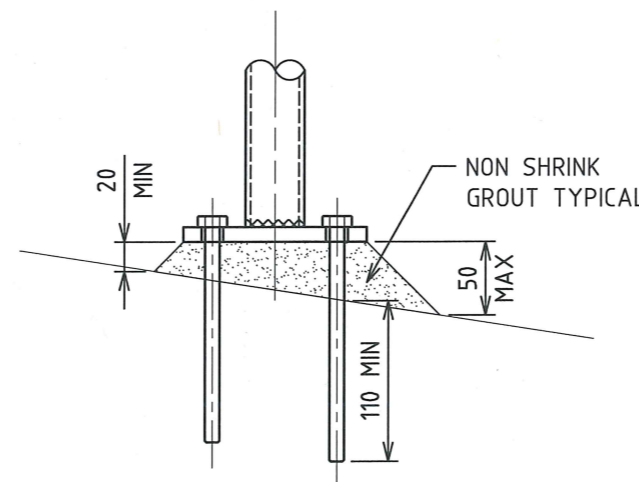
POST TO RAIL CONNECTION  
SCALE 1:5



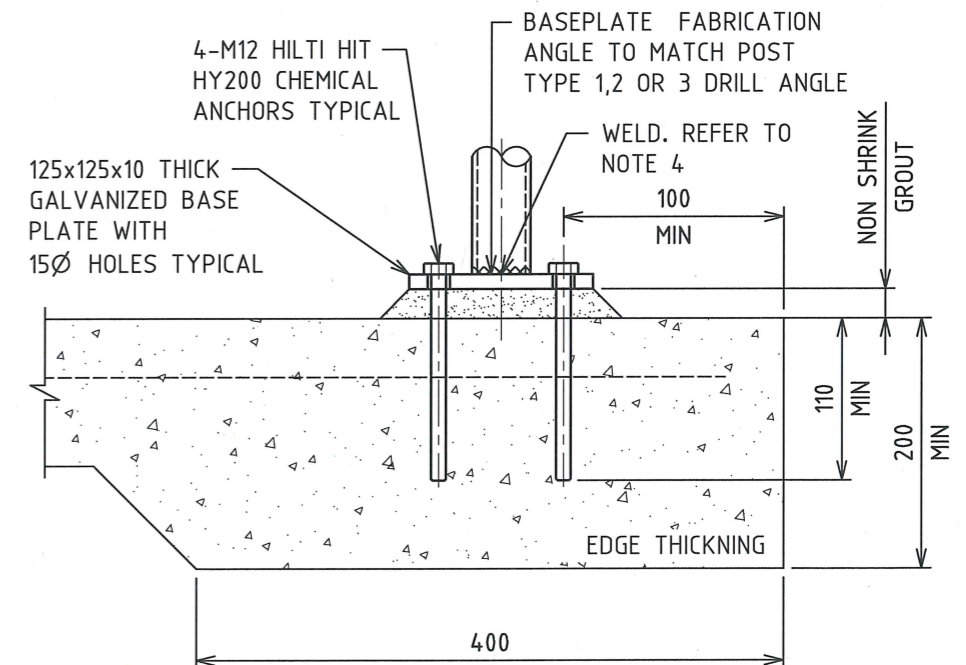
PLAN

**NOTES**

1. ALL STEEL WORK TO BE HOT DIP GALVANIZING: FERROUS OPEN SECTIONS TO AS4791 (600g/m<sup>2</sup> MIN), AFTER FABRICATION.
2. NOT TO BE USED WITHIN 100m OF SURF ZONE
3. MINIMUM LENGTH OF RAILS TO BE TWO SPANS LONG AND TO BE JOINED AT POST LOCATIONS WHERE POSSIBLE (REFER TO DETAIL)
4. ALL SHOP WELDS TO BE 5 THICK CONTINUOUS FILLET WELDS TO AS1554.1
5. SITE WELDS SHALL NOT BE USED EXCEPT FOR CONNECTION OF RAILS TO POST. PROTECT WELD AREAS WITH TWO COATS OF GALMET.
6. ALL CONCRETE TO BE GRADE N25
7. POSTS INSTALLED IN EXISTING BRIDGE / CULVERT CONCRETE HEADWALL TO BE GROUTED INTO 90Ø HOLE WITH 1:3 CEMENT MORTAR BY VOLUME AFTER THEY HAVE BEEN CAREFULLY ALIGNED
8. ANY GALVANIZED TUBULAR HANDRAILS TO BE USED ONLY IN SITUATIONS CLEAR OF LONGITUDINAL VEHICLE IMPACT SO AS NOT TO BE POTENTIAL SPEARING HAZARD TO MOTORISTS
9. THESE FENCES ARE INTENDED AS A PEDESTRIAN BARRIER AND ARE NOT TO BE USED IN SITUATIONS WHERE MOTOR VEHICLES REQUIRE RESTRAINT
10. DIMENSIONS IN MILLIMETERS UNLESS NOTIFIED OTHERWISE
11. FENCE TO BE INSTALLED GREATER THAN 1000mm AWAY FROM THE EDGE OF A SHARED PATH



SLOPING SURFACE DETAIL  
SCALE 1:5



ELEVATION  
BASE PLATE DETAIL  
SCALE 1:5

No.	AMENDMENT DETAILS	DATE	INITIALS
2	GENERAL REVISION	18.08.15	T.A.
1	CONSTRUCTION	18.12.14	T.A.
0	PRELIMINARY	18.11.14	T.A.

SCALE	AS SHOWN
COORDINATE SYSTEM:	HEIGHT DATUM: AHD

LIVEABLE CITY  
INFRASTRUCTURE MANAGEMENT SERVICES

REVIEWED: J.C.

APPROVED:

SIGNED: *[Signature]*  
INFRASTRUCTURE MANAGEMENT SERVICES MANAGER

DATE: 21/8/15

THE CITY OF NEWCASTLE

FENCES  
GALVANISED STEEL TUBE

NCC PLAN No.	A3502	SHEET No.	1 OF 1 SHEETS
AMENDMENT No.			