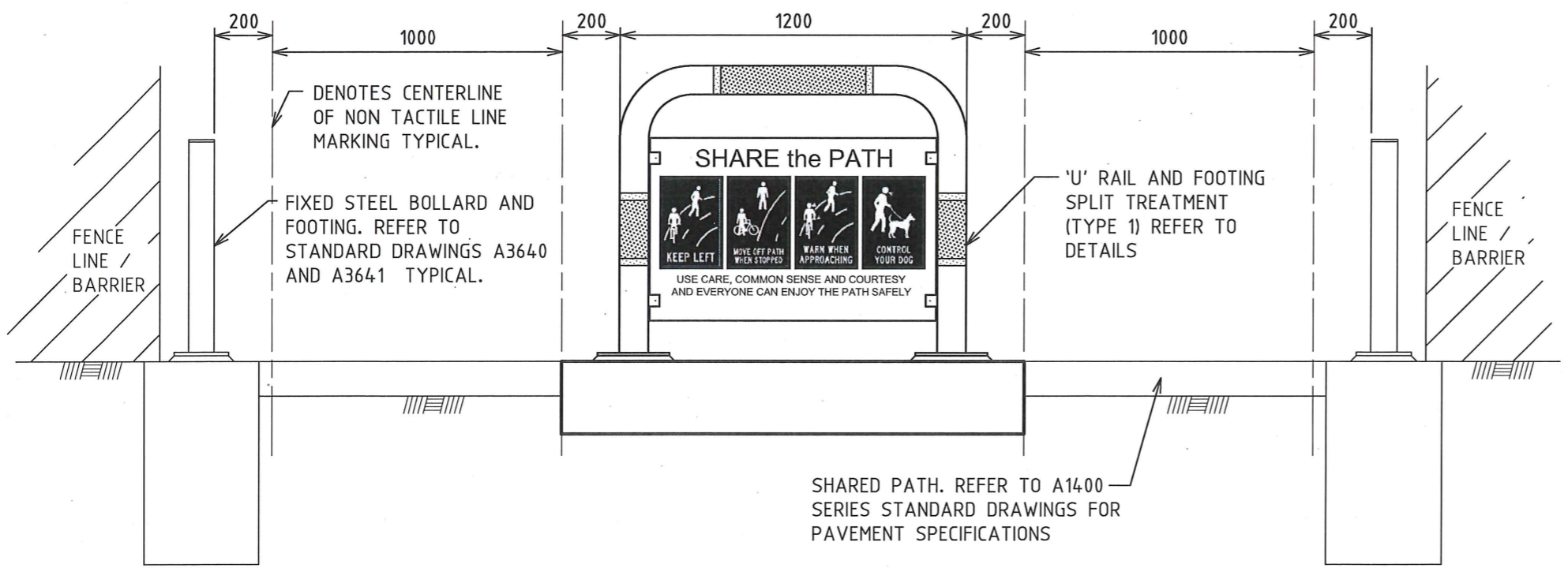


SHARED PATH TERMINATION - 'U' RAIL SPLIT TREATMENT (TYPE 1)
SCALE 1:75



TYPICAL CROSS SECTION
SCALE 1:20

NOTES
1. SHARED PATH 'U' RAIL TERMINATION SPLIT TREATMENT TO BE CONSTRUCTED FROM ASPHALTIC CONCRETE OR CHARCOAL COLOURED CONCRETE

No.	AMENDMENT DETAILS	DATE	INITIALS
1	GENERAL REVISION	05.07.16	T.A.
0	CONSTRUCTION	18.08.15	T.A.

SCALE
AS SHOWN

COORDINATE SYSTEM: HEIGHT DATUM: AHD

REVIEWED: J.C.

APPROVED: *[Signature]*

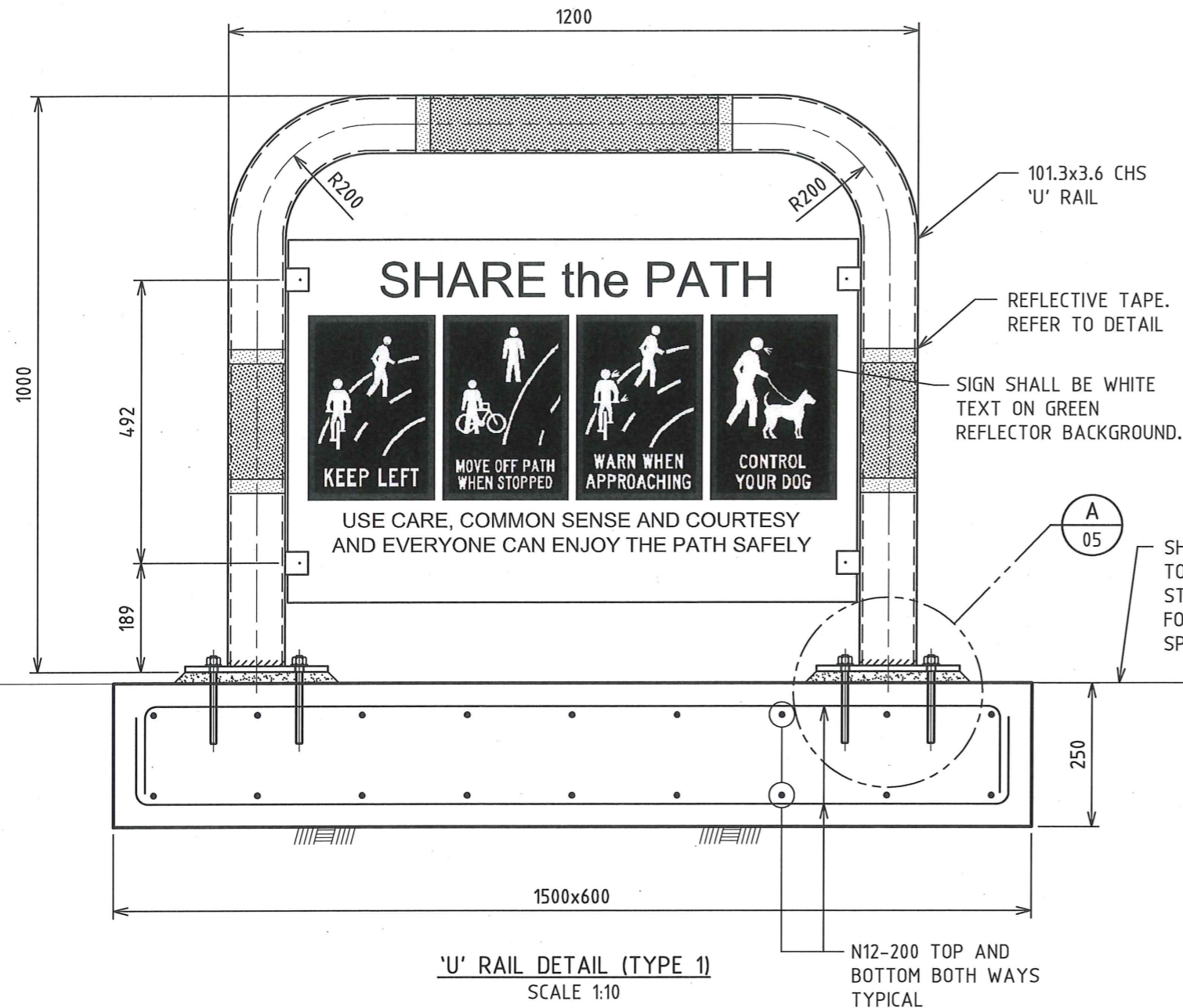
SIGNED: INFRASTRUCTURE MANAGEMENT SERVICES MANAGER
DATE: 29.09.2016

THE CITY OF NEWCASTLE

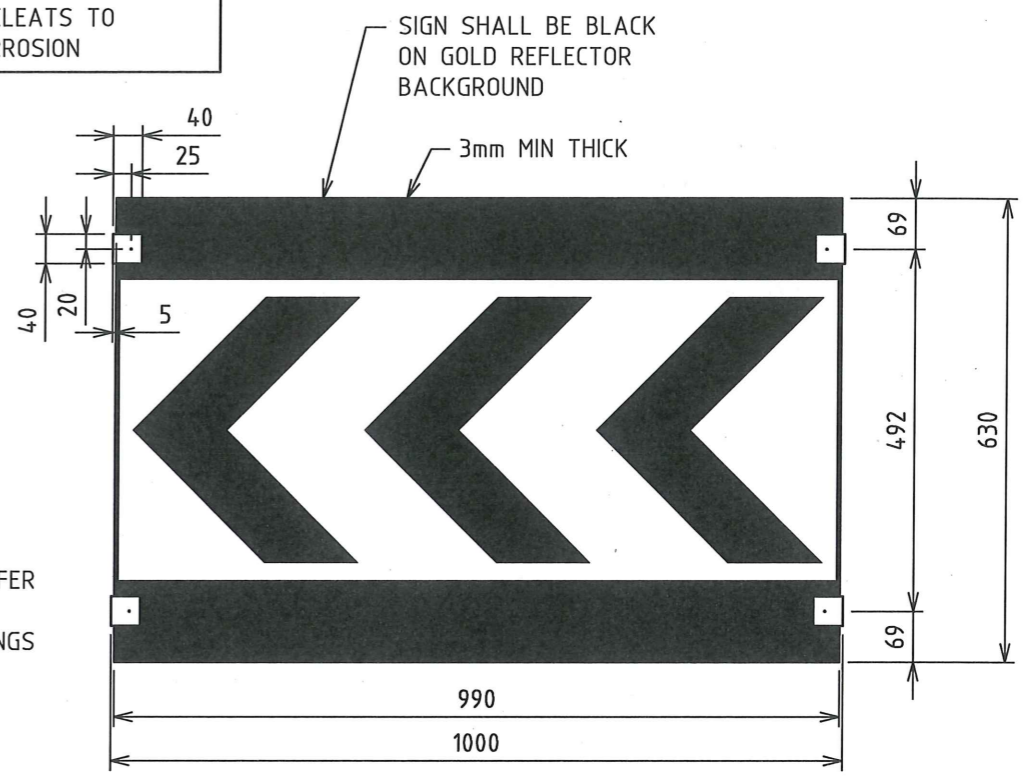
SHARED PATH TERMINATION 'U' RAIL SPLIT TREATMENT

NCC PLAN No.	SHEET No.
A1700	1 OF 5 SHEETS
AMENDMENT No.	

A3 ORIGINAL THIS SHEET WAS PREPARED IN COLOUR AND WILL BE INCOMPLETE IF COPIED

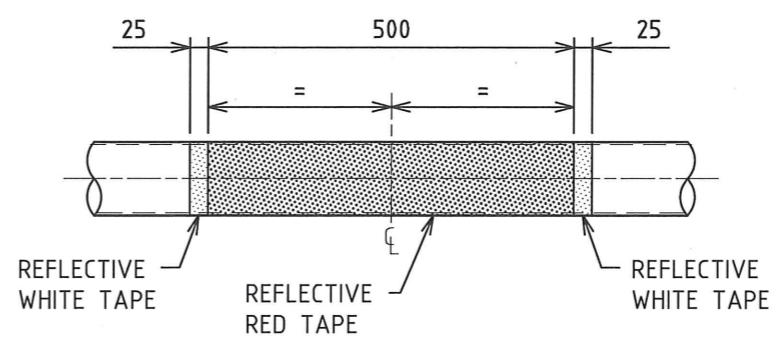


NOTE:
PROVIDE PROPRIETARY PLASTIC
WASHERS TO SEPARATE SIGN
FROM POST CLEATS TO
PREVENT CORROSION

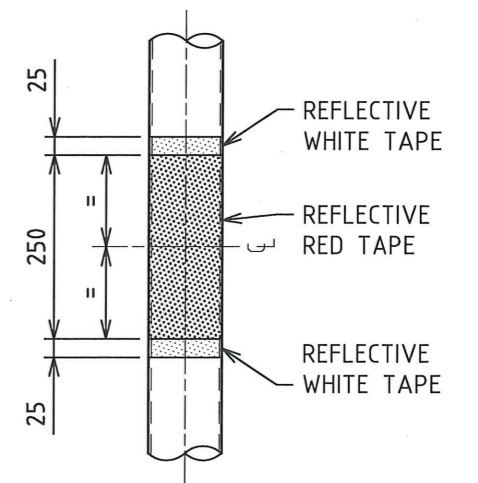


BACK OF SIGN & SIGN DIMENSIONS
SCALE 1:10

'U' RAIL DETAIL (TYPE 1)
SCALE 1:10



HORIZONTAL RAIL

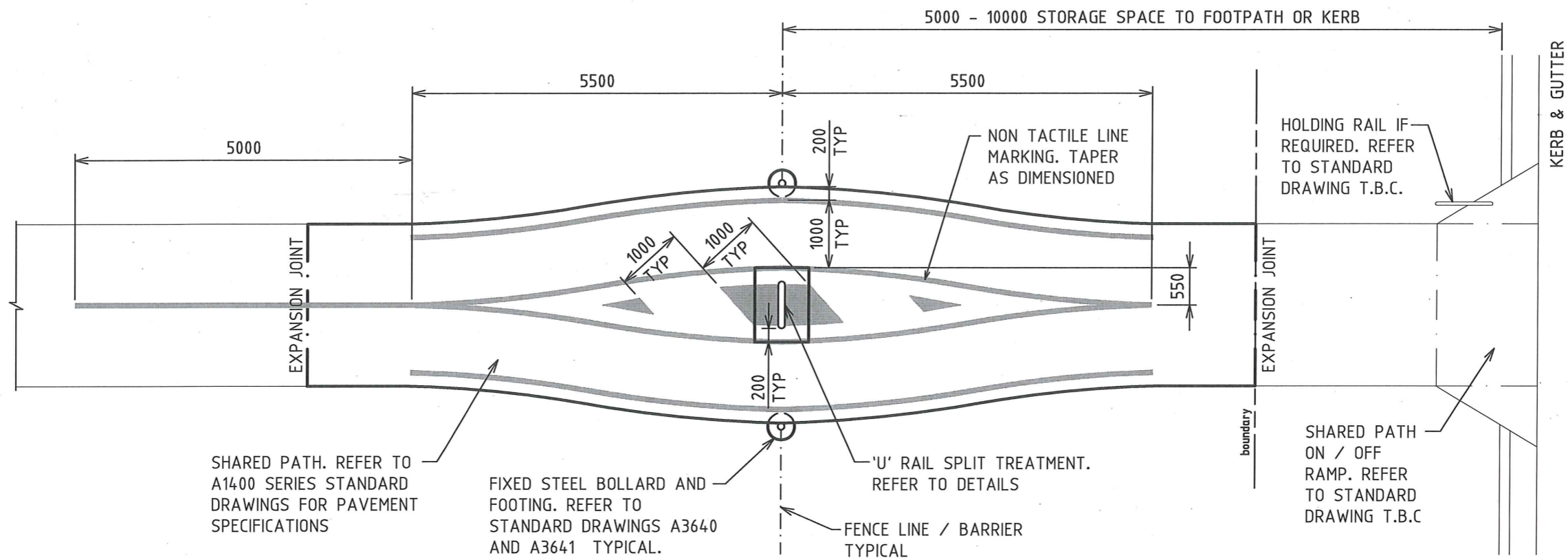


VERTICAL RAIL

REFLECTIVE TAPE DETAILS
SCALE 1:10

- NOTES**
- FIXTURES/FITTINGS/METALWORK NOTES:
1. ALL FIXTURES/FITTINGS ARE TO BE HOT DIPPED GALVANIZED UNLESS NOTED OR DETAILED OTHERWISE.
 2. GRIND SMOOTH EDGES AND WELDS PRIOR TO HOT DIPPED GALVANIZING AND OTHER APPLIED FINISHES.
 3. ALL WELDS ARE TO 4mm CONTINUOUS FILLET WELDS FROM E41XX ELECTRODES, GROUND OFF SMOOTH AND FLUSH.
 4. WHERE POSSIBLE ALL FIXINGS TO BE TAMPER/VANDAL PROOF TO MINIMISE DAMAGE OR THEFT.
 5. ALL STEELWORK TO BE PAINTED "YELLOW GOLD". REFER TO PAINT SPECIFICATIONS ON STANDARD DRAWING A3800

<table border="1"> <tr> <td>1</td> <td>GENERAL REVISION</td> <td>05.07.16</td> <td>T.A.</td> </tr> <tr> <td>0</td> <td>CONSTRUCTION</td> <td>18.08.15</td> <td>T.A.</td> </tr> <tr> <td>No.</td> <td>AMENDMENT DETAILS</td> <td>DATE</td> <td>INITIALS</td> </tr> </table>				1	GENERAL REVISION	05.07.16	T.A.	0	CONSTRUCTION	18.08.15	T.A.	No.	AMENDMENT DETAILS	DATE	INITIALS	<p>SCALE AS SHOWN</p>				<p>APPROVED: </p> <p>SIGNED: _____ INFRASTRUCTURE MANAGEMENT SERVICES MANAGER DATE: 29.09.2016</p>		<p>THE CITY OF NEWCASTLE SHARED PATH TERMINATION 'U' RAIL SPLIT TREATMENT</p>		<p>NCC PLAN No. A1700</p>		<p>SHEET No. 2 OF 5 SHEETS</p>	
1	GENERAL REVISION	05.07.16	T.A.																								
0	CONSTRUCTION	18.08.15	T.A.																								
No.	AMENDMENT DETAILS	DATE	INITIALS																								
<p>A3 ORIGINAL THIS SHEET WAS PREPARED IN COLOUR AND WILL BE INCOMPLETE IF COPIED</p>				<p>COORDINATE SYSTEM:</p>		<p>HEIGHT DATUM: AHD</p>		<p>REVIEWED: J.C.</p>		<p>AMENDMENT No.</p>																	



SHARED PATH. REFER TO A1400 SERIES STANDARD DRAWINGS FOR PAVEMENT SPECIFICATIONS

FIXED STEEL BOLLARD AND FOOTING. REFER TO STANDARD DRAWINGS A3640 AND A3641 TYPICAL.

'U' RAIL SPLIT TREATMENT. REFER TO DETAILS

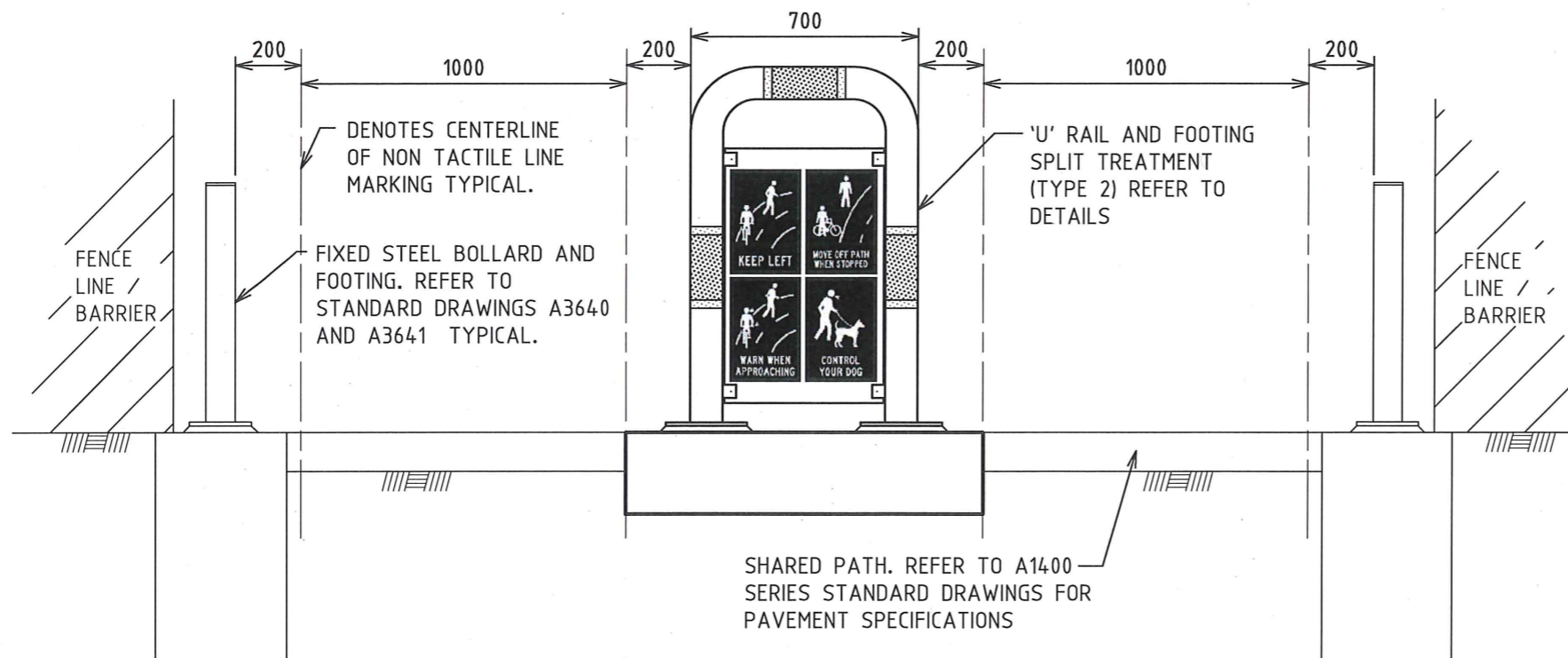
FENCE LINE / BARRIER TYPICAL

HOLDING RAIL IF REQUIRED. REFER TO STANDARD DRAWING T.B.C.

SHARED PATH ON / OFF RAMP. REFER TO STANDARD DRAWING T.B.C

SHARED PATH TERMINATION - 'U' RAIL SPLIT TREATMENT (TYPE 2)

SCALE 1:75



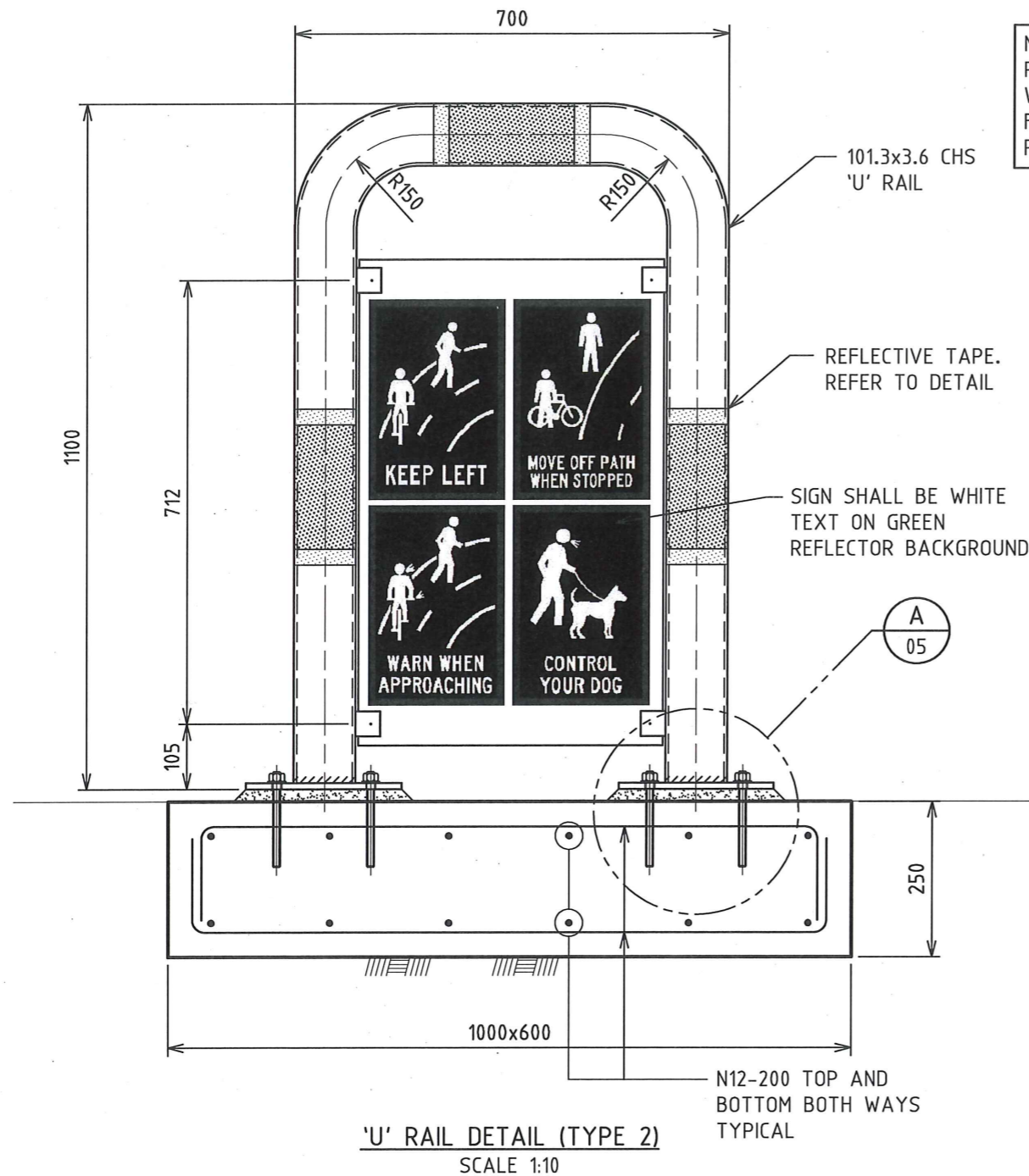
TYPICAL CROSS SECTION

SCALE 1:20

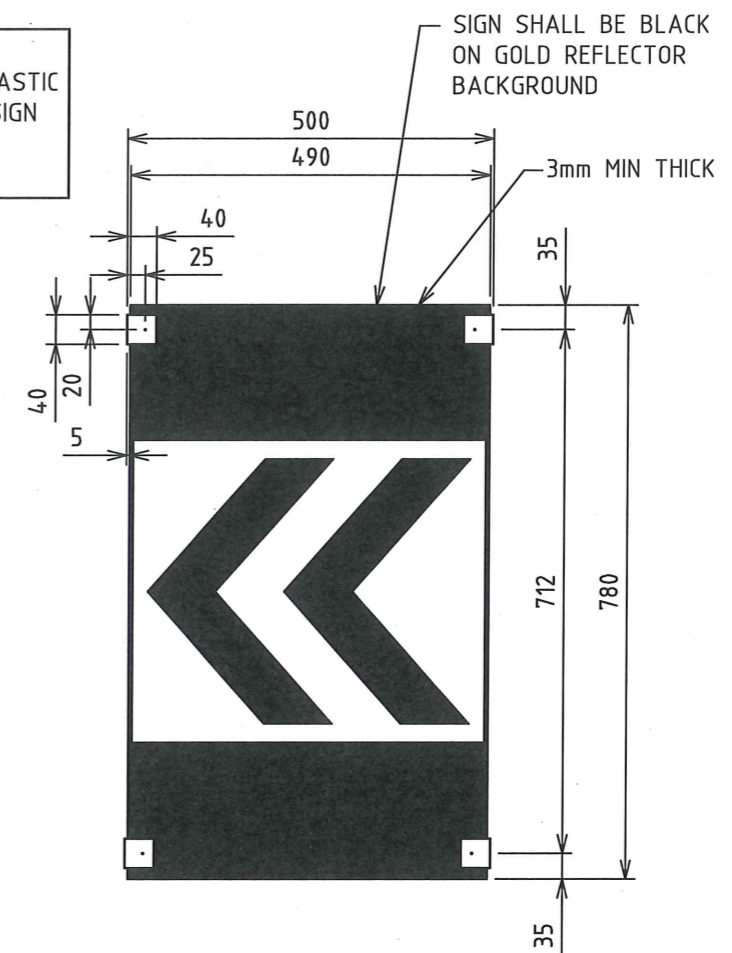
NOTES

1. SHARED PATH 'U' RAIL TERMINATION SPLIT TREATMENT TO BE CONSTRUCTED FROM ASPHALTIC CONCRETE OR CHARCOAL COLOURED CONCRETE

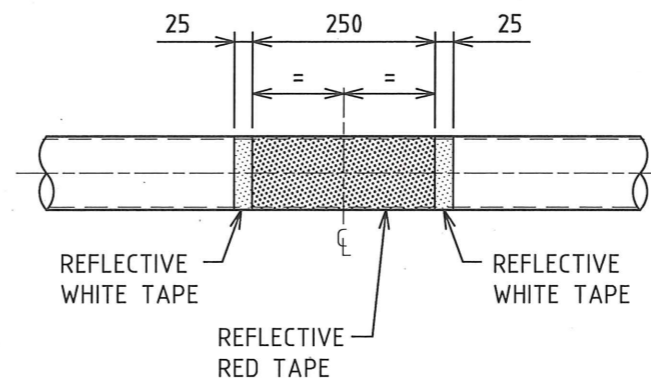
<table border="1"> <tr> <td>No.</td> <td>AMENDMENT DETAILS</td> <td>DATE</td> <td>INITIALS</td> </tr> <tr> <td>1</td> <td>GENERAL REVISION</td> <td>05.07.16</td> <td>T.A.</td> </tr> <tr> <td>0</td> <td>CONSTRUCTION</td> <td>18.08.15</td> <td>T.A.</td> </tr> </table>				No.	AMENDMENT DETAILS	DATE	INITIALS	1	GENERAL REVISION	05.07.16	T.A.	0	CONSTRUCTION	18.08.15	T.A.	<p>SCALE</p> <p>AS SHOWN</p>	<p>INFRASURTURE MANAGEMENT SERVICES</p>	<p>APPROVED</p> <p>SIGNED:..... INFRASURTURE MANAGEMENT SERVICES MANAGER DATE: 29.09.2016</p>	<p>THE CITY OF NEWCASTLE</p> <p>SHARED PATH TERMINATION 'U' RAIL SPLIT TREATMENT</p>	<p>NCC PLAN No.</p> <p>A1700</p> <p>AMENDMENT No.</p>	<p>SHEET No.</p> <p>3 OF 5 SHEETS</p>
No.	AMENDMENT DETAILS	DATE	INITIALS																		
1	GENERAL REVISION	05.07.16	T.A.																		
0	CONSTRUCTION	18.08.15	T.A.																		
<p>A3 ORIGINAL THIS SHEET WAS PREPARED IN COLOUR AND WILL BE INCOMPLETE IF COPIED</p>				<p>COORDINATE SYSTEM:</p>	<p>HEIGHT DATUM: AHD</p>	<p>REVIEWED: J.C.</p>															



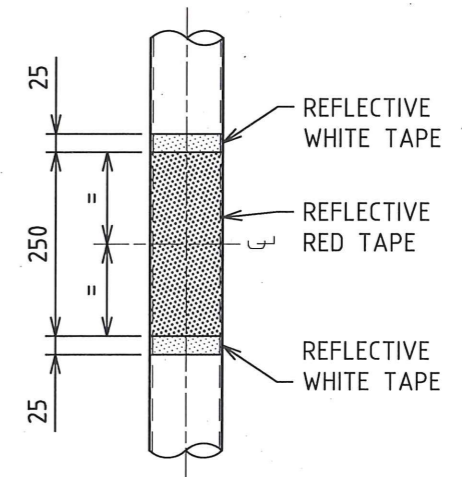
NOTE:
 PROVIDE PROPRIETARY PLASTIC
 WASHERS TO SEPARATE SIGN
 FROM POST CLEATS TO
 PREVENT CORROSION



BACK OF SIGN & SIGN DIMENSIONS
 SCALE 1:10



HORIZONTAL RAIL



VERTICAL RAIL

REFLECTIVE TAPE DETAILS
 SCALE 1:10

NOTES


FIXTURES/FITTINGS/METALWORK NOTES:

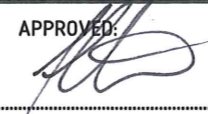
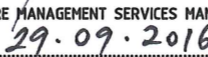
1. ALL FIXTURES/FITTINGS ARE TO BE HOT DIPPED GALVANIZED UNLESS NOTED OR DETAILED OTHERWISE.
2. GRIND SMOOTH EDGES AND WELDS PRIOR TO HOT DIPPED GALVANIZING AND OTHER APPLIED FINISHES.
3. ALL WELDS ARE TO 4mm CONTINUOUS FILLET WELDS FROM E41XX ELECTRODES, GROUND OFF SMOOTH AND FLUSH.
4. WHERE POSSIBLE ALL FIXINGS TO BE TAMPER/VANDAL PROOF TO MINIMISE DAMAGE OR THEFT.
5. ALL STEELWORK TO BE PAINTED "YELLOW GOLD". REFER TO PAINT SPECIFICATIONS ON STANDARD DRAWING A3800

'U' RAIL DETAIL (TYPE 2)
 SCALE 1:10

No.	AMENDMENT DETAILS	DATE	INITIALS
1	GENERAL REVISION	05.07.16	T.A.
0	CONSTRUCTION	18.08.15	T.A.

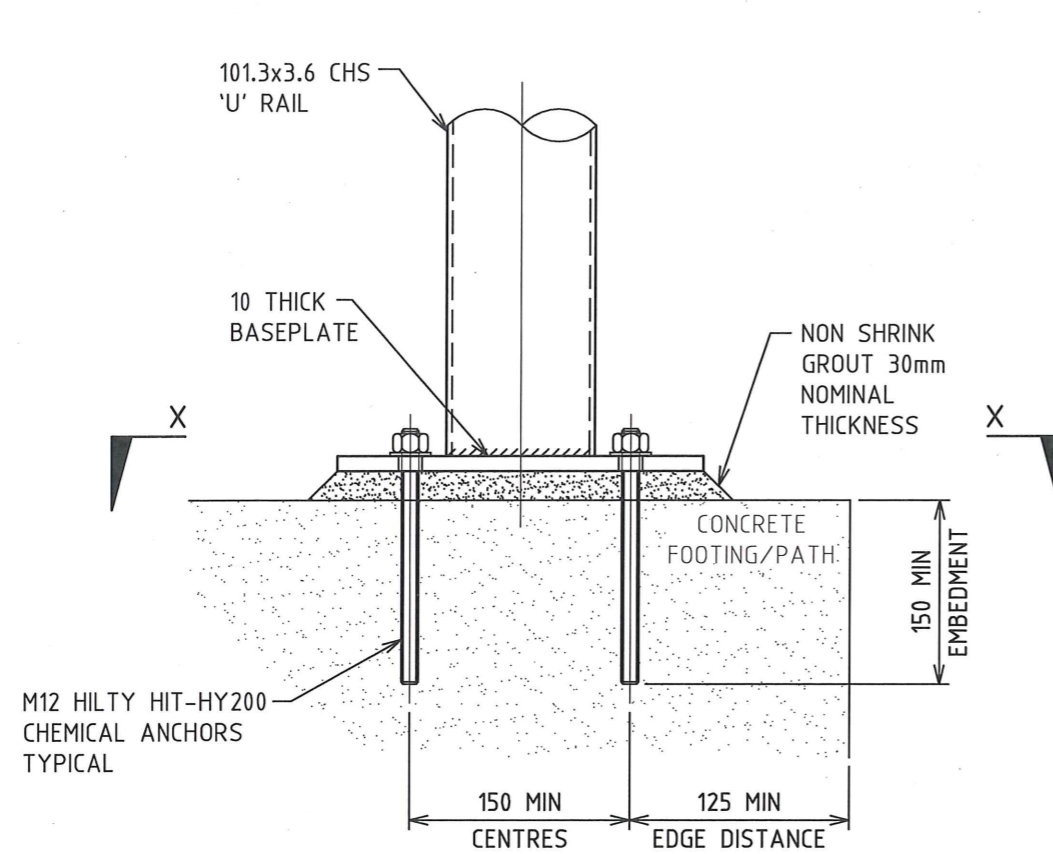
SCALE	AS SHOWN
COORDINATE SYSTEM:	HEIGHT DATUM: AHD


INFRASTRUCTURE MANAGEMENT SERVICES
 REVIEWED: J.C.

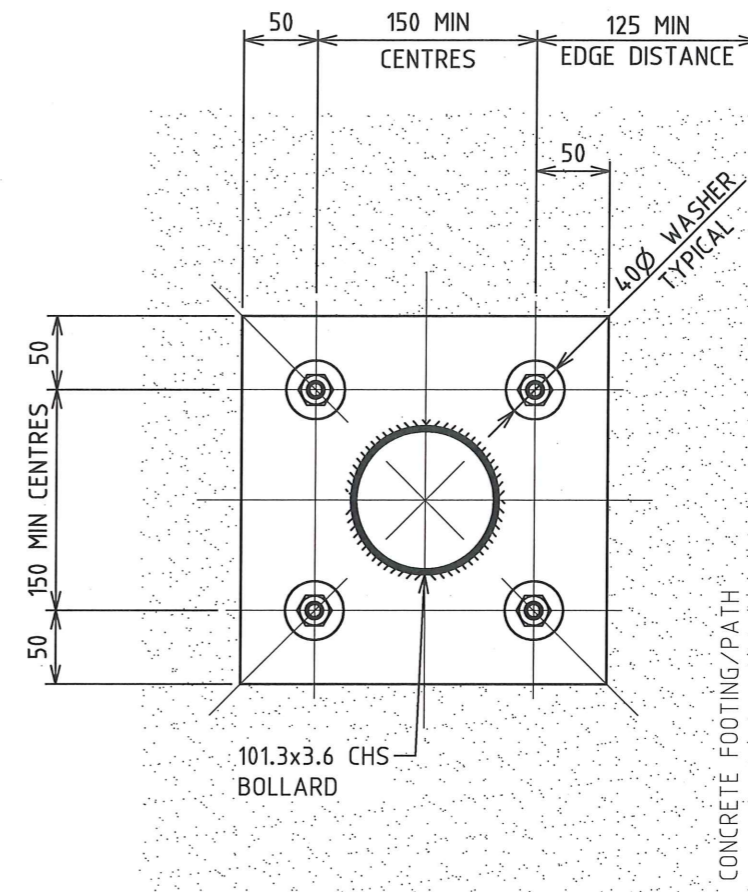
APPROVED: 
 SIGNED: 
 INFRASTRUCTURE MANAGEMENT SERVICES MANAGER
 DATE: 29.09.2016

THE CITY OF NEWCASTLE
SHARED PATH TERMINATION
'U' RAIL SPLIT TREATMENT

NCC PLAN No.	A1700	SHEET No.	4 OF 5 SHEETS
AMENDMENT No.			



DETAIL A
SCALE 1:5





VIEW X - X
SCALE 1:5

No.	AMENDMENT DETAILS	DATE	INITIALS
1	GENERAL REVISION	05.07.16	T.A.
0	CONSTRUCTION	18.08.15	T.A.

A3 ORIGINAL THIS SHEET WAS PREPARED IN COLOUR AND WILL BE INCOMPLETE IF COPIED

SCALE	AS SHOWN
COORDINATE SYSTEM:	HEIGHT DATUM: AHD


INFRASTRUCTURE MANAGEMENT SERVICES
 REVIEWED: J.C.

APPROVED: 
 SIGNED:
 INFRASTRUCTURE MANAGEMENT SERVICES MANAGER
 DATE: 29.09.2016

THE CITY OF NEWCASTLE
SHARED PATH TERMINATION
'U' RAIL SPLIT TREATMENT

NCC PLAN No.	SHEET No.
A1700	5 OF 5
AMENDMENT No.	SHEETS