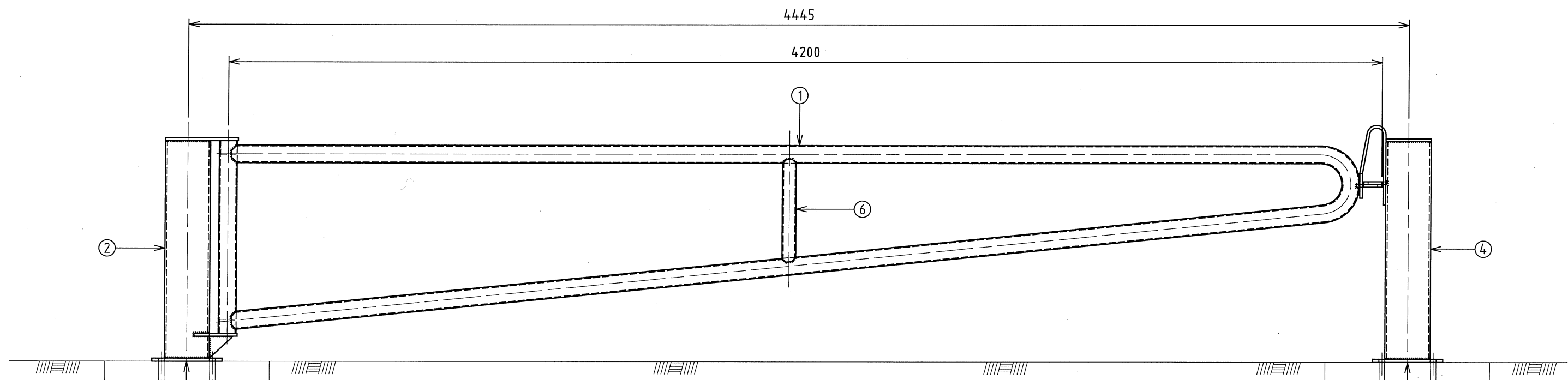


TOP ELEVATION
SCALE 1:15

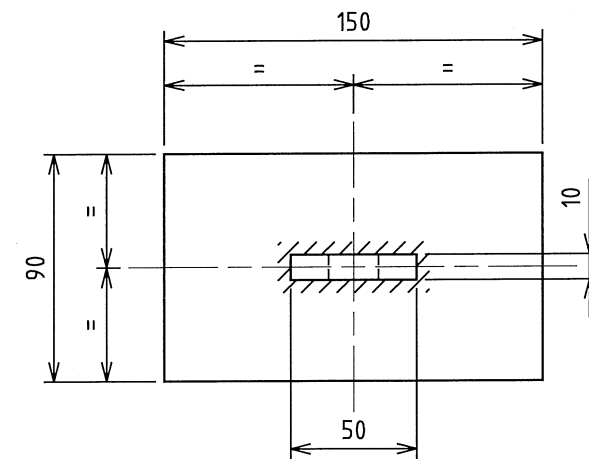
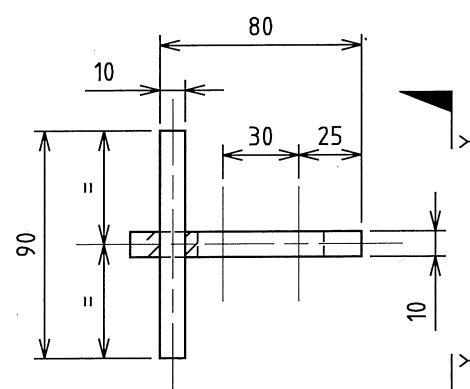
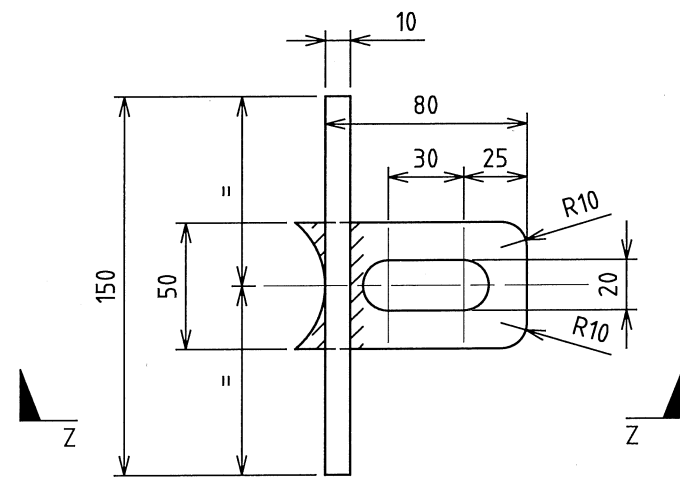
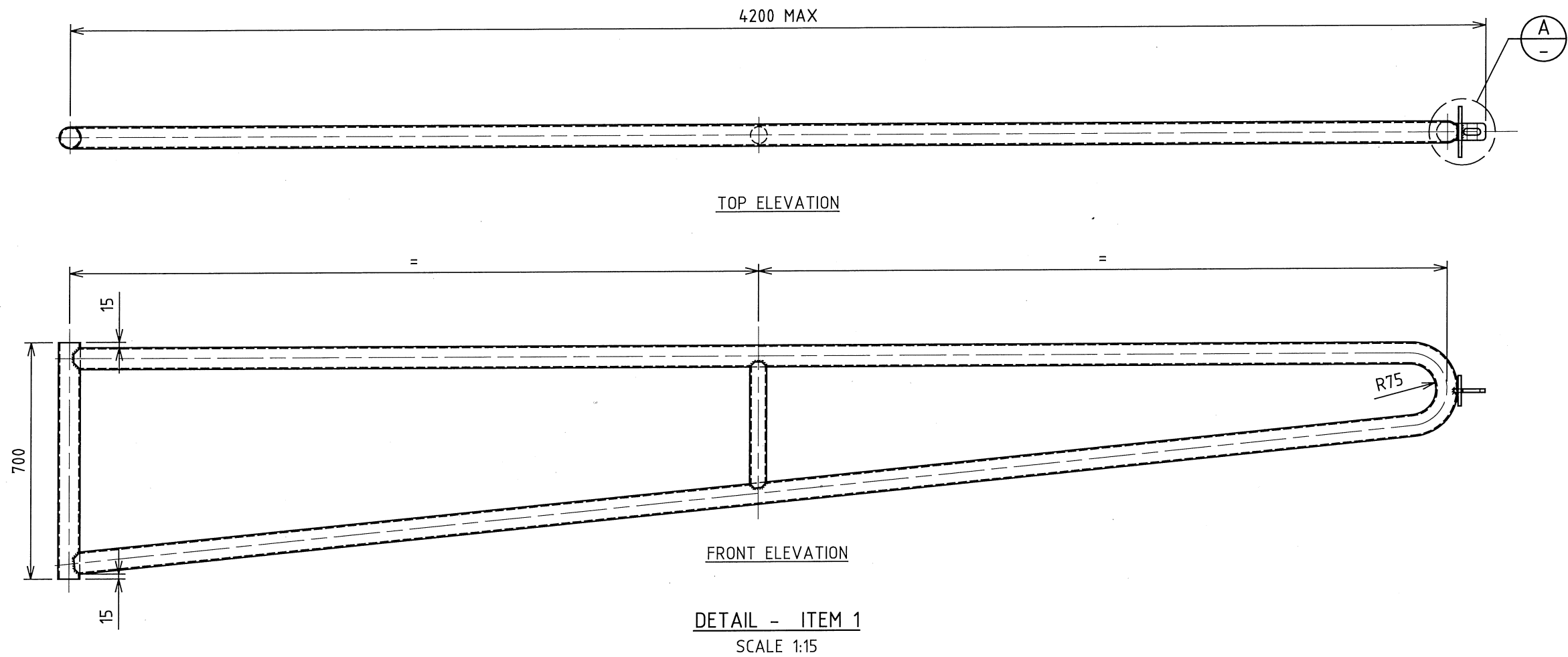


FRONT ELEVATION
SCALE 1:15

- NOTES**
1. ALL WELDS ARE TO BE 6mm CONTINUOUS FILLET WELDS
 2. ALL STEEL TO BE HOT DIPPED GALVANISED AFTER FABRICATION

ITEM	QTY	DESCRIPTION	SIZE
1	1	GATE	65NB (76 OD x 3.6mm THICK)
2	1	SUPPORT MEMBER	165.1Øx5.0 CHS
3	1	SUPPORT BASE PLATE	280x280x12 THICK
4	1	LOCKING END MEMBER	165.1Øx6.0 CHS
5	1	LOCKING END BASE PLATE	280x280x12 THICK
6	1	GATE BRACE	50NB (60.3 OD x 3.6mm THICK)

		SCALE AS SHOWN	 LIVEABLE CITY INFRASTRUCTURE MANAGEMENT SERVICES	APPROVED: SIGNED: _____ INFRASTRUCTURE MANAGEMENT SERVICES MANAGER DATE: _____	THE CITY OF NEWCASTLE GATES VEHICLE ACCESS GATE	NCC PLAN No. A3540	SHEET No. 1 OF 5 SHEETS
1 CONSTRUCTION 18.12.14 T.A. 0 PRELIMINARY 18.11.14 T.A. No. AMENDMENT DETAILS DATE INITIALS	COORDINATE SYSTEM:	HEIGHT DATUM: AHD	REVIEWED: J.C.	AMENDMENT No.	A3 ORIGINAL THIS SHEET WAS PREPARED IN COLOUR AND WILL BE INCOMPLETE IF COPIED		



No.	CONSTRUCTION	18.12.14	T.A.
0	PRELIMINARY	18.11.14	T.A.
No.	AMENDMENT DETAILS	DATE	INITIALS

SCALE
AS SHOWN

COORDINATE SYSTEM:

HEIGHT DATUM: AHD

LIVEABLE CITY
INFRASTRUCTURE
MANAGEMENT SERVICES

REVIEWED: J.C.

APPROVED:

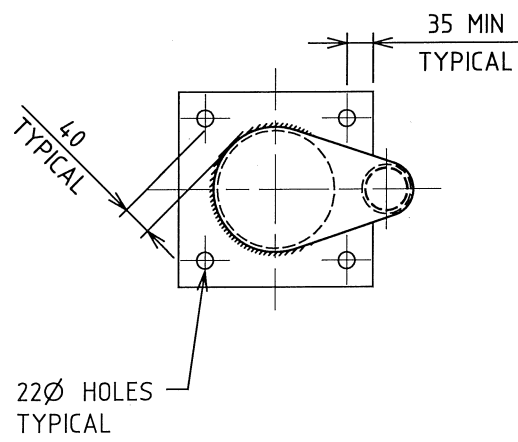
SIGNED: *[Signature]*
INFRASTRUCTURE MANAGEMENT SERVICES MANAGER

DATE: 16/1/15

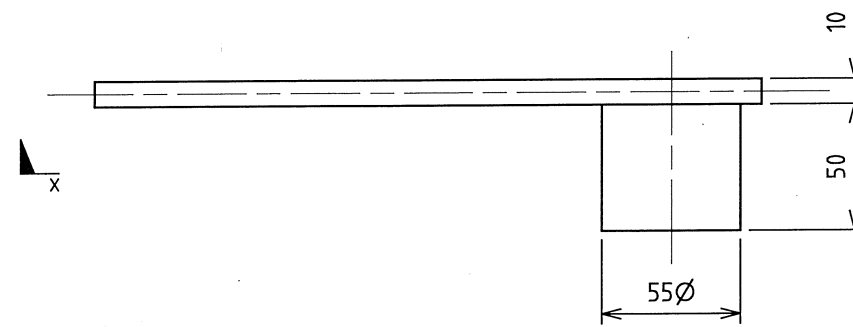
THE CITY OF NEWCASTLE

GATES
VEHICLE ACCESS GATE

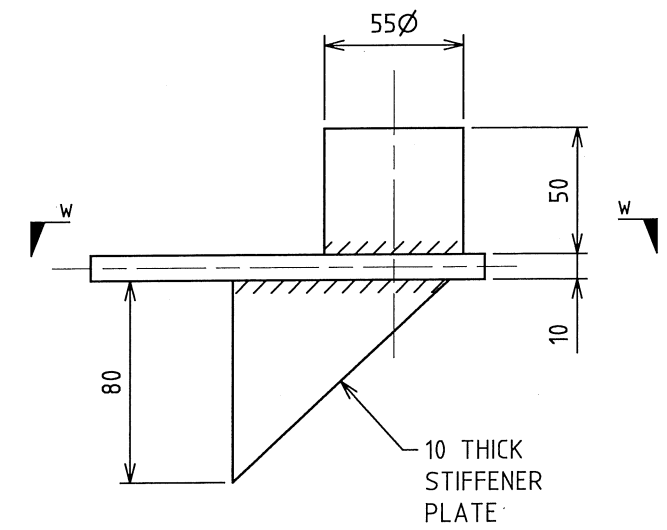
NCC PLAN No.	SHEET No.
A3540	2
AMENDMENT No.	OF
	5
	SHEETS



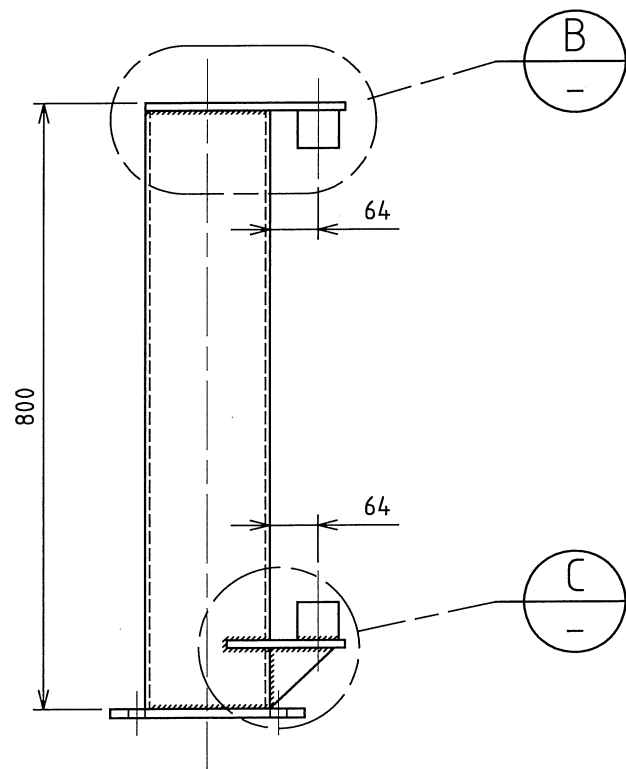
TOP ELEVATION



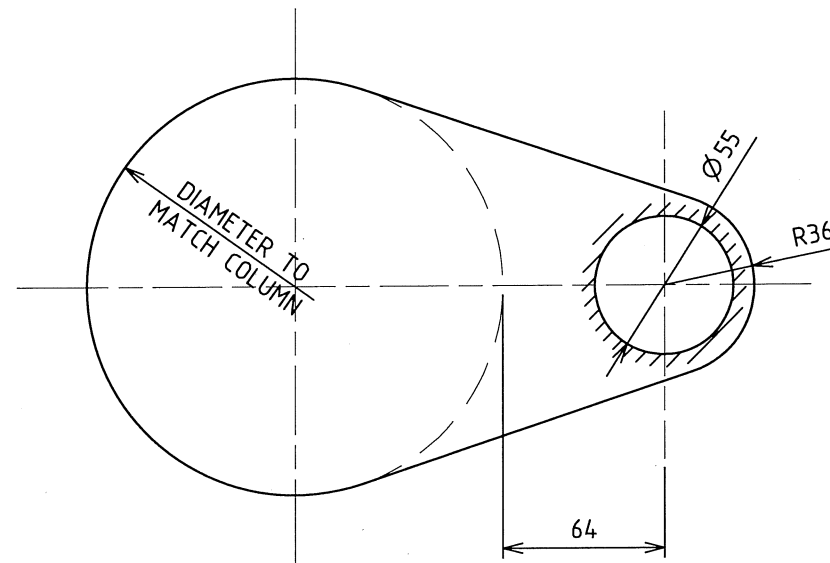
DETAIL B
SCALE 1:3



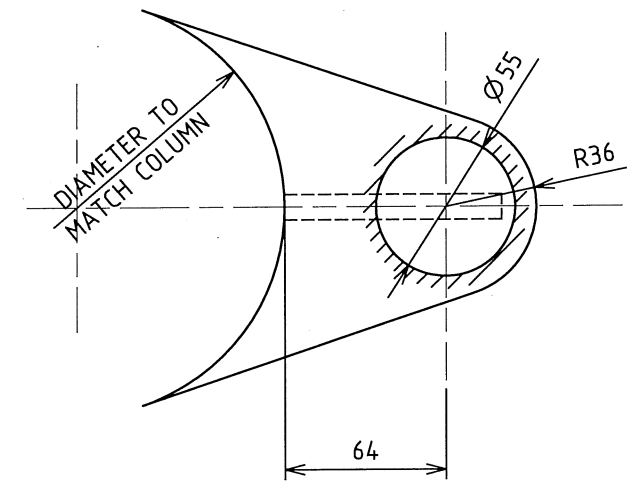
DETAIL C
SCALE 1:3



FRONT ELEVATION



VIEW X - X
SCALE 1:3




VIEW W - W
SCALE 1:3

DETAIL - ITEMS 2 & 3
SCALE 1:10


1	CONSTRUCTION	18.12.14	T.A.
0	PRELIMINARY	18.11.14	T.A.
No.	AMENDMENT DETAILS	DATE	INITIALS

SCALE	AS SHOWN
HEIGHT DATUM:	AHD


LIVEABLE CITY
INFRASTRUCTURE
MANAGEMENT SERVICES

REVIEWED: J.C.

APPROVED:

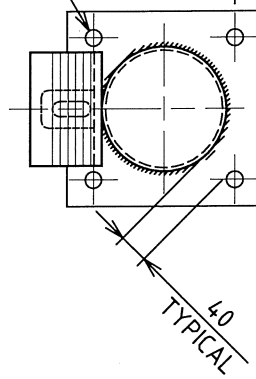
SIGNED: 
 INFRASTRUCTURE MANAGEMENT SERVICES MANAGER

DATE: 16/11/15

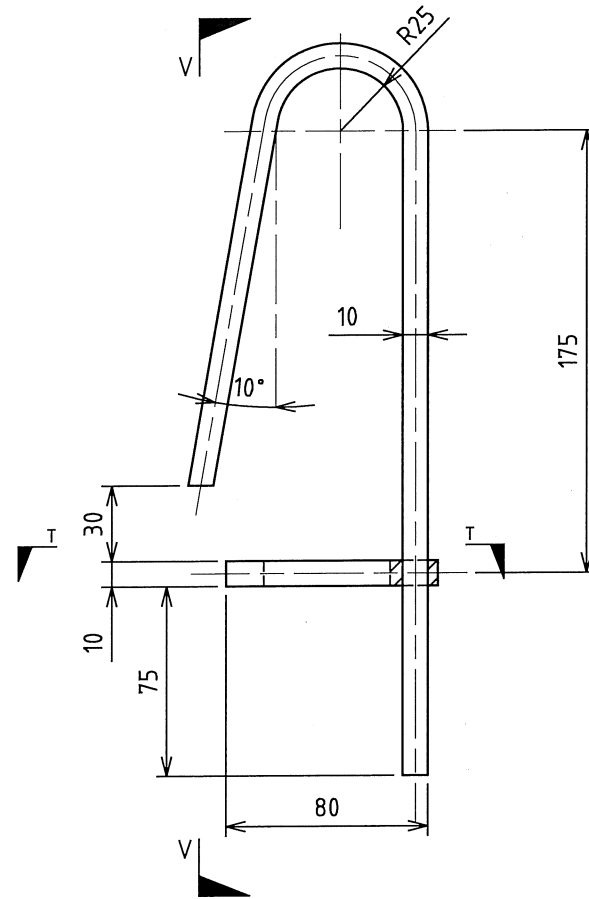
THE CITY OF NEWCASTLE
GATES
VEHICLE ACCESS GATE

NCC PLAN No.	A3540	SHEET No.	3
		OF	5
AMENDMENT No.		SHEETS	

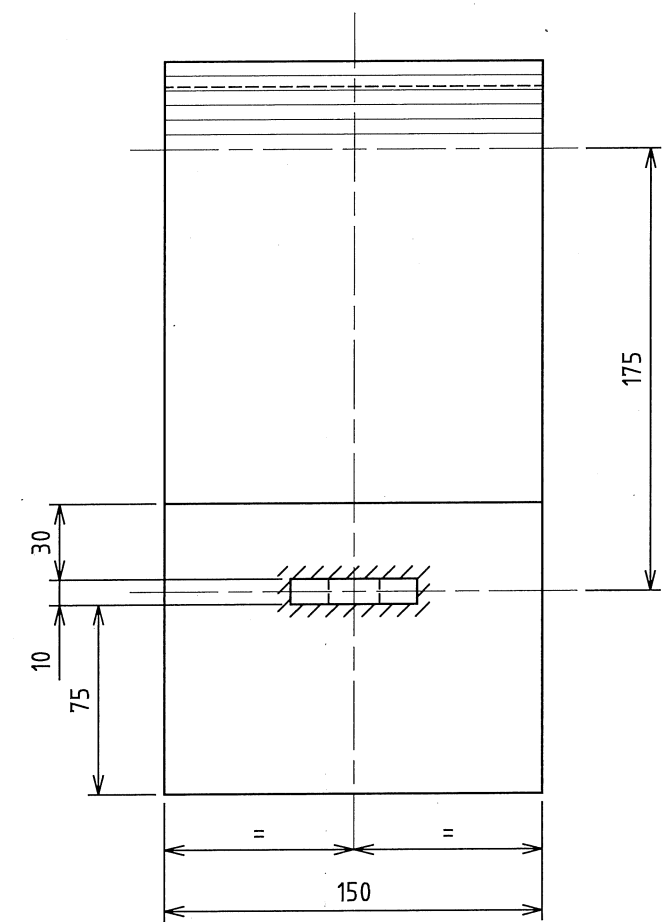
22Ø HOLES TYPICAL
35 MIN TYPICAL



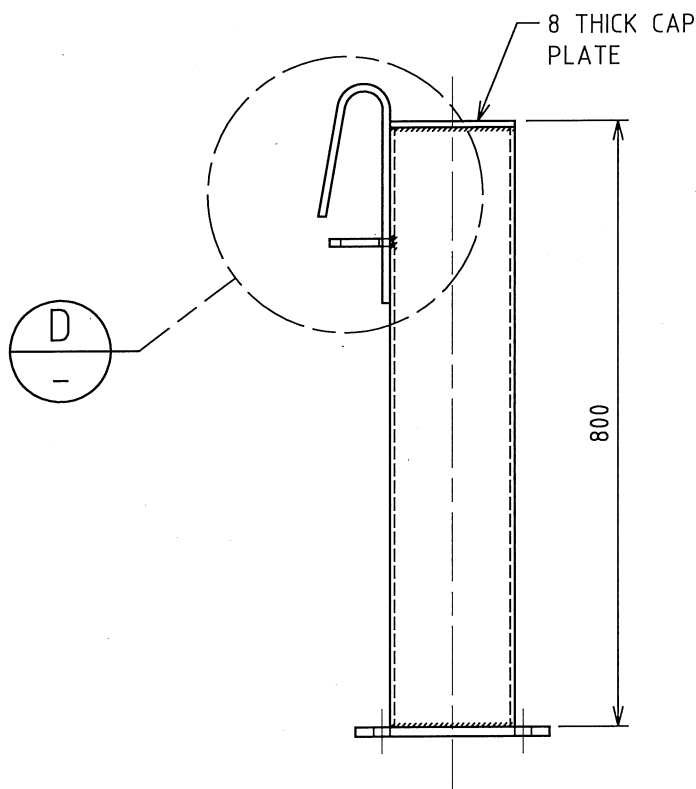
TOP ELEVATION



DETAIL D
SCALE 1:3

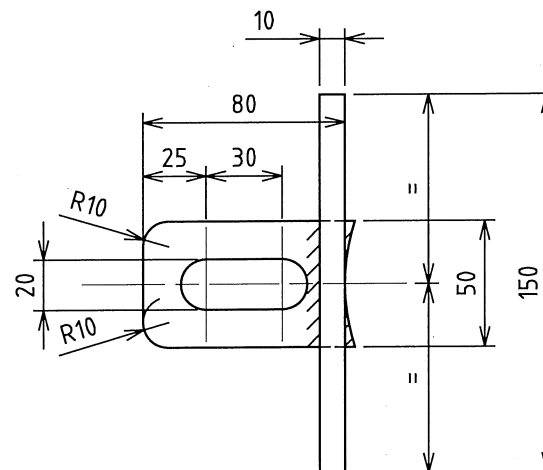


VIEW V - V
SCALE 1:3



FRONT ELEVATION

DETAIL - ITEMS 4 & 5
SCALE 1:10



VIEW T - T
SCALE 1:3

1	CONSTRUCTION	18.12.14	T.A.
0	PRELIMINARY	18.11.14	T.A.
No.	AMENDMENT DETAILS	DATE	INITIALS

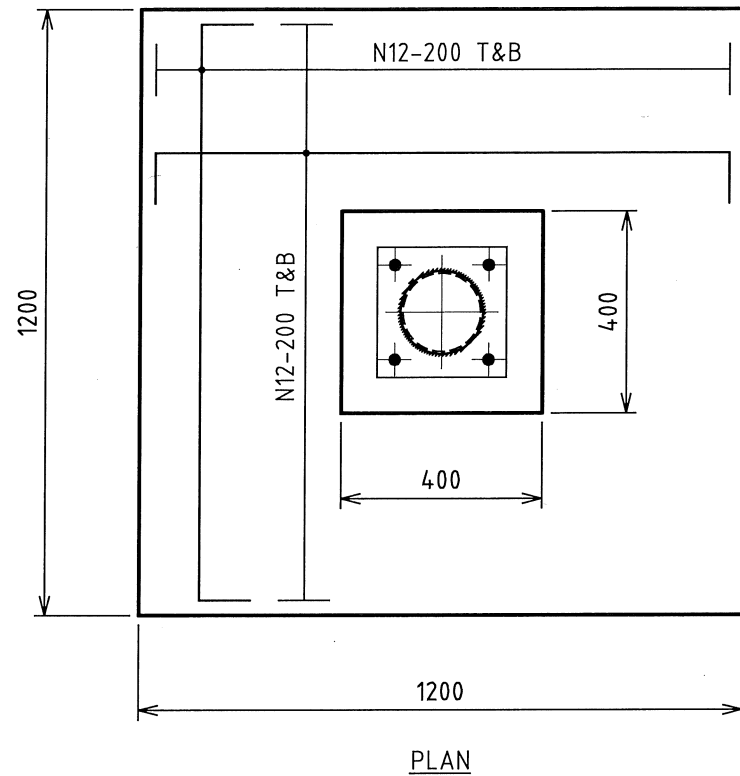
SCALE	AS SHOWN
HEIGHT DATUM:	AHD

	LIVEABLE CITY INFRASTRUCTURE MANAGEMENT SERVICES
REVIEWED:	J.C.

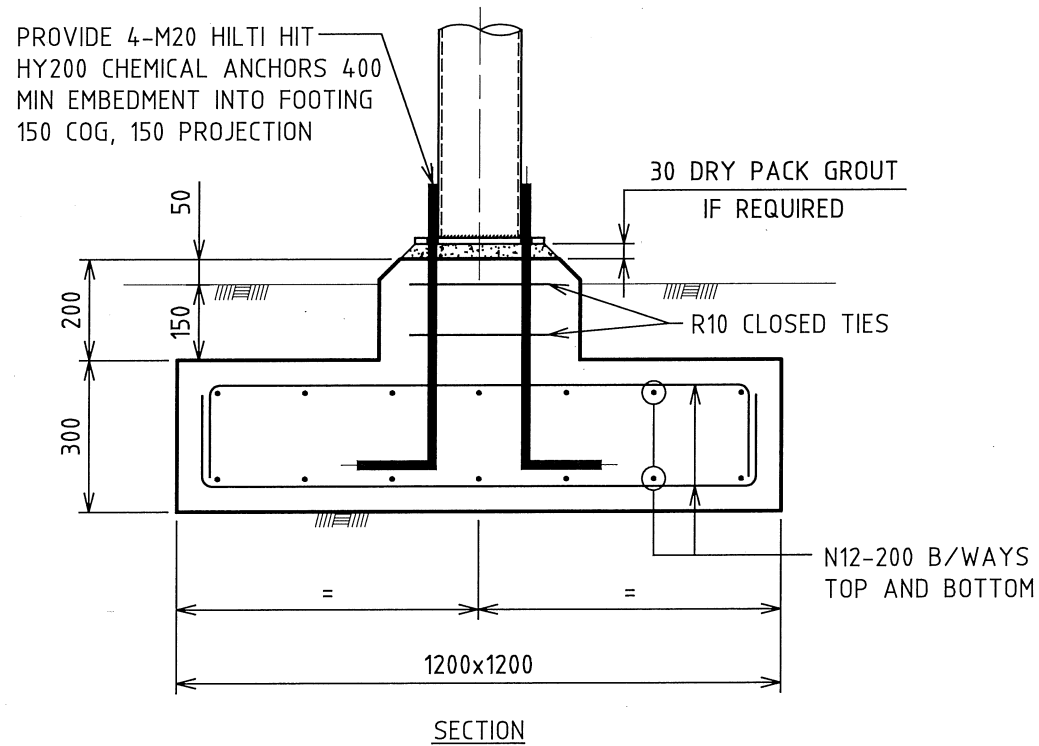
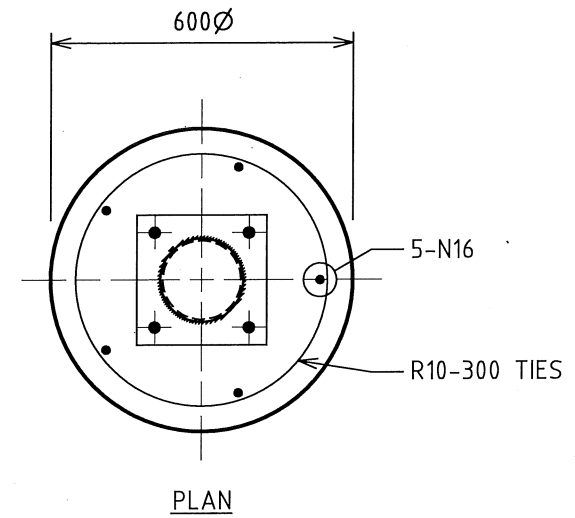
APPROVED:	
SIGNED:	INFRASTRUCTURE MANAGEMENT SERVICES MANAGER
DATE:	16/11/14

THE CITY OF NEWCASTLE
GATES VEHICLE ACCESS GATE

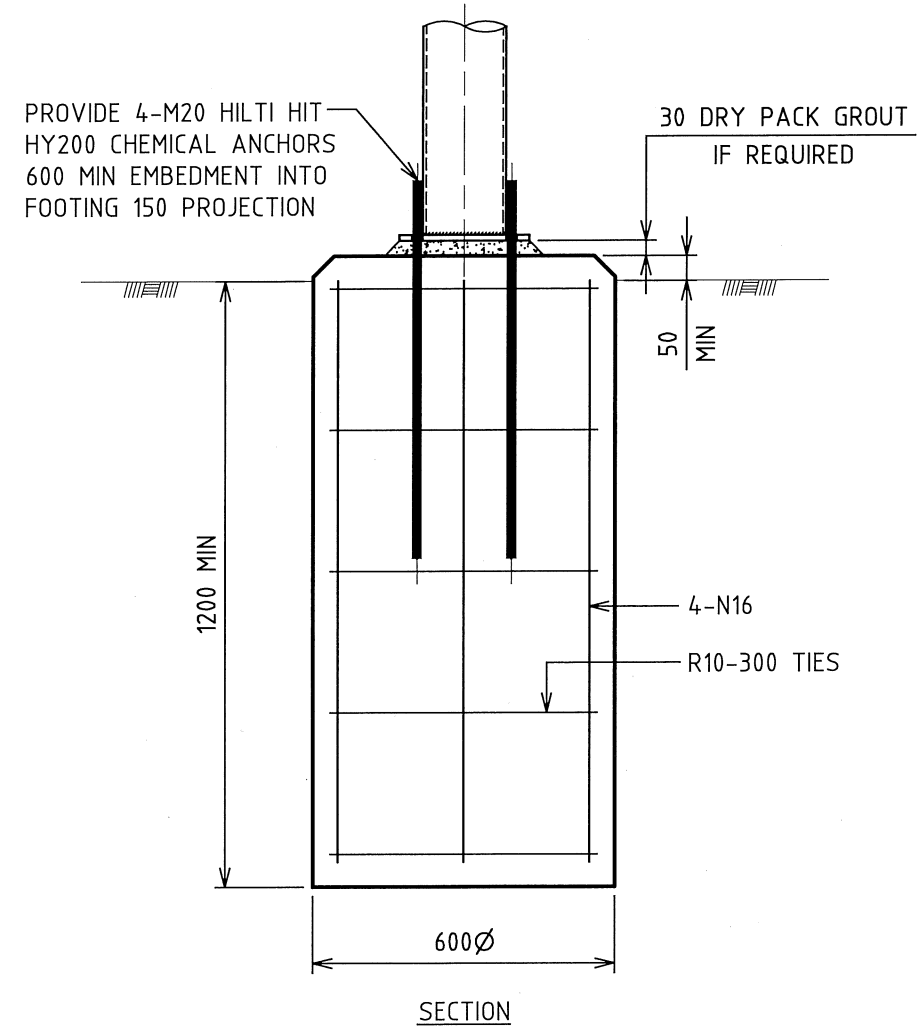
NCC PLAN No.	A3540	SHEET No.	4 OF 5 SHEETS
AMENDMENT No.			



NOTE:
 EITHER BORED PIER OR PAD FOOTING DETAIL MAY BE
 SELECTED DEPENDING ON GROUND CONDITIONS ENCOUNTERED:
 PAD FOOTING - PF1: SAND, HIGH WATER TABLE, DEEP FILL,
 FLAT TOPOGRAPHY, SOFT GROUND.
 BORED PIER - BP1: LOW WATER TABLE, SHALLOW FILL,
 STEEP TOPOGRAPHY, STIFF GROUND.



PAD FOOTING - PF1
 SCALE 1:15



BORED PIER - BP1
 SCALE 1:15

1	CONSTRUCTION	18.12.14	T.A.
0	PRELIMINARY	18.11.14	T.A.
No.	AMENDMENT DETAILS	DATE	INITIALS

SCALE
 AS SHOWN

COORDINATE SYSTEM:
 HEIGHT DATUM: AHD

LIVEABLE CITY
 INFRASTRUCTURE
 MANAGEMENT SERVICES

REVIEWED: J.C.

APPROVED:

SIGNED: *[Signature]*
 INFRASTRUCTURE MANAGEMENT SERVICES MANAGER

DATE: *[Date]*

THE CITY OF NEWCASTLE

GATES
 VEHICLE ACCESS GATE

NCC PLAN No.
A3540

AMENDMENT No.

SHEET No.
 5
 OF
 5
 SHEETS