

FOR ASSOCIATED GATE DETAILS REFER TO STANDARD DRAWING A3542.

**ELEVATION**  
SCALE 1:20

THIS STANDARD IS NOT TO BE USED IN A COASTAL ZONE. THE COASTAL ZONE IS WITHIN 1000m OF THE COASTLINE OR WITHIN 100m OF THE HARBOUR / HUNTER RIVER.

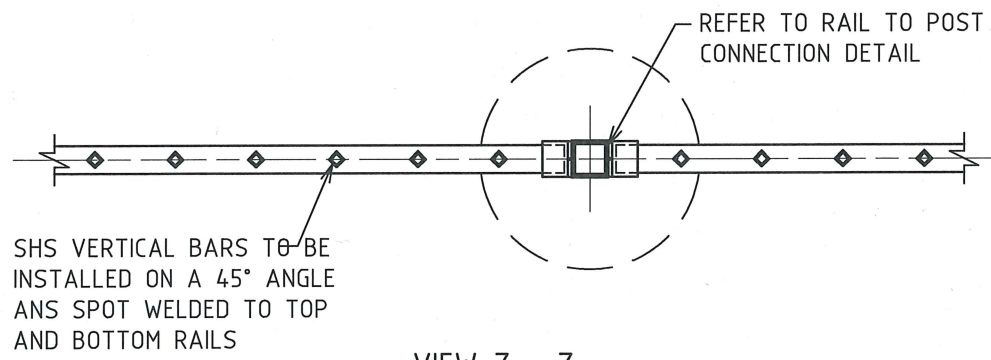
**NOTES**

**GENERAL NOTES**

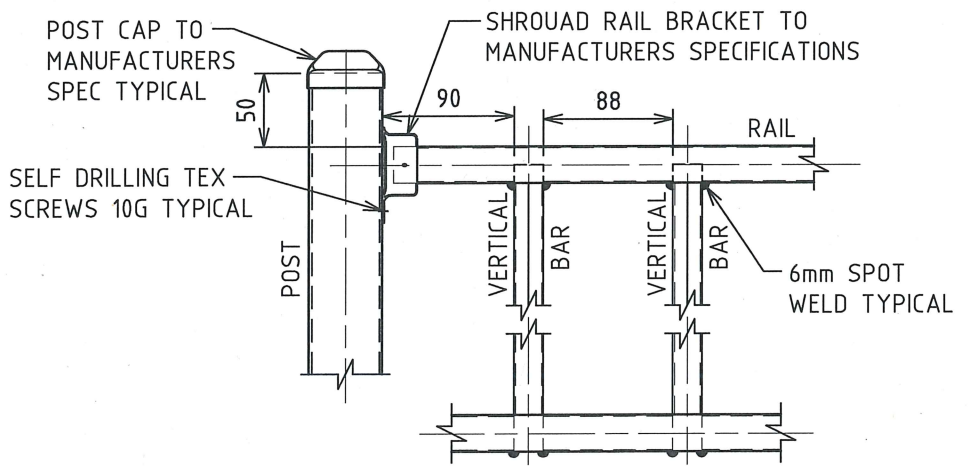
1. GATE, END AND INTERMEDIATE POSTS TO BE 50x50x1.6 SHS GALVANISED TO AS1163
2. FENCE PANEL RAILS TO BE 38x25x1.6 SHS GALVANISED TO AS1163
3. FENCE PANEL VERTICAL BARS TO BE 16x16x1.2 SHS OR 16Øx1.2 CHS GALVANISED TO AS1163
4. PANELS TO BE FIXED TO POSTS USING MANUFACTURER SUPPLIED SOCKET CONNECTORS OR 35x35x2.0 GALVANISED MILD STEEL 'L' BRACKETS. BOTH CONNECTIONS TO BE ATTACHED WITH GALVANISED 12-14x20mm HEXAGON HEAD SELF DRILLING TEX SCREWS
5. VERTICAL BARS TO PASS THROUGH TOP AND BOTTOM RAILS AND SECURED TO RAIL WITH 6mm SPOT WELD. SHS TO PASS THROUGH AT 45° ANGLE.
6. ALL WELDS TO BE SILICONE BRONZE WELDS (NOT MILD STEEL WHEEL WELDS) TO SUIT THE PROTECTIVE FINISH SPECIFIED.
7. ALL STEEL ELEMENTS ARE TO BE HOT DIP GALVANISED TO PROVIDE A MINIMUM ZINC RATING OF 2275. FERROUS OPEN SECTIONS TO AS4791, FERROUS HOLLOW SECTIONS TO AS4792.
8. ALL STEEL ELEMENTS TO BE POWDER COATED BLACK (UV STABILIZED) TO AS4506. THE ATMOSPHERIC CLASSIFICATION IN ACCORDANCE WITH TABLE 2.1 SHALL BE D. HIGH MEMBRANE/INDUSTRIAL
9. ALL CONCRETE TO BE GRADE N20
10. POSTS ARE TO BE VERTICAL
11. RAKE PANELS FOR SLOPE UP TO 1 IN 5. DESIGN TO MINIMISE THE NUMBER OF STEPS IN ANY RUN.
12. THESE FENCES ARE INTENDED AS A PEDESTRIAN BARRIER AND ARE NOT TO BE USED IN SITUATIONS WHERE MOTOR VEHICLES REQUIRE RESTRAINT.
13. DIMENSIONS ARE IN MILLIMETRES UNLESS NOTED OR DETAILED OTHERWISE

**SETOUT NOTES**

1. WHERE THE PURPOSE IS TO PREVENT CHILDREN ACCESSING WATER BODIES IN PUBLIC AREAS FENCE AND GATE SHALL COMPLY WITH AS1926.1
2. WHERE USED FOR PLAYGROUNDS ALL GAPS WITHIN THE FENCE AND TO OBSTACLES ADJOINING THE FENCE AND GATES.
3. ENSURE 1200 MIN CLEAR SPAN FROM TOP OF FENCE TO ANY CLIMBABLE OBJECT OUTSIDE THE FENCED AREA THAT MAY PROVIDE A FOOTHOLD ie. ROCKS, STEPS, BANKS OR TREES WITH LOW BRANCHES
4. ENSURE 100 MAX GAP BETWEEN END POST AND ABUTTING BARRIER.
5. FENCE TO BE INSTALLED GREATER THAN 1000mm AWAY FROM THE EDGE OF A SHARED PATH



**VIEW Z - Z**  
SCALE 1:10



**TYPICAL CONNECTIONS DETAIL**  
SCALE 1:5

**CHILD SAFETY FENCING**

			SCALE AS SHOWN	LIVEABLE CITY INFRASTRUCTURE MANAGEMENT SERVICES	APPROVED:  SIGNED: INFRASTRUCTURE MANAGEMENT SERVICES MANAGER DATE: 21/8/15	<b>THE CITY OF NEWCASTLE</b> <b>FENCES</b> <b>CHILD SAFETY FENCING</b>	NCC PLAN No. <b>A3506</b>	SHEET No. 1 OF 1 SHEETS
0	CONSTRUCTION	18.08.15	T.A.					
No.	AMENDMENT DETAILS	DATE	INITIALS					
A3 ORIGINAL	THIS SHEET WAS PREPARED IN COLOUR AND WILL BE INCOMPLETE IF COPIED			COORDINATE SYSTEM:	HEIGHT DATUM: AHD			