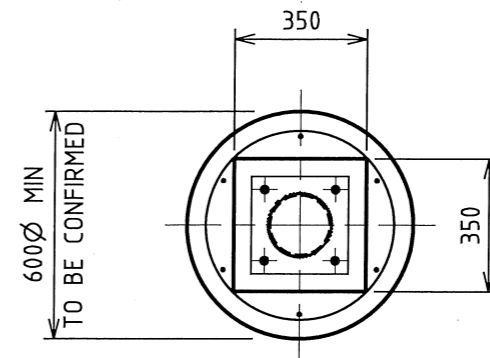


ELEVATION

FLAG / BANNER / MULTI PURPOSE POLE AND BORED PIER
SCALE 1:75

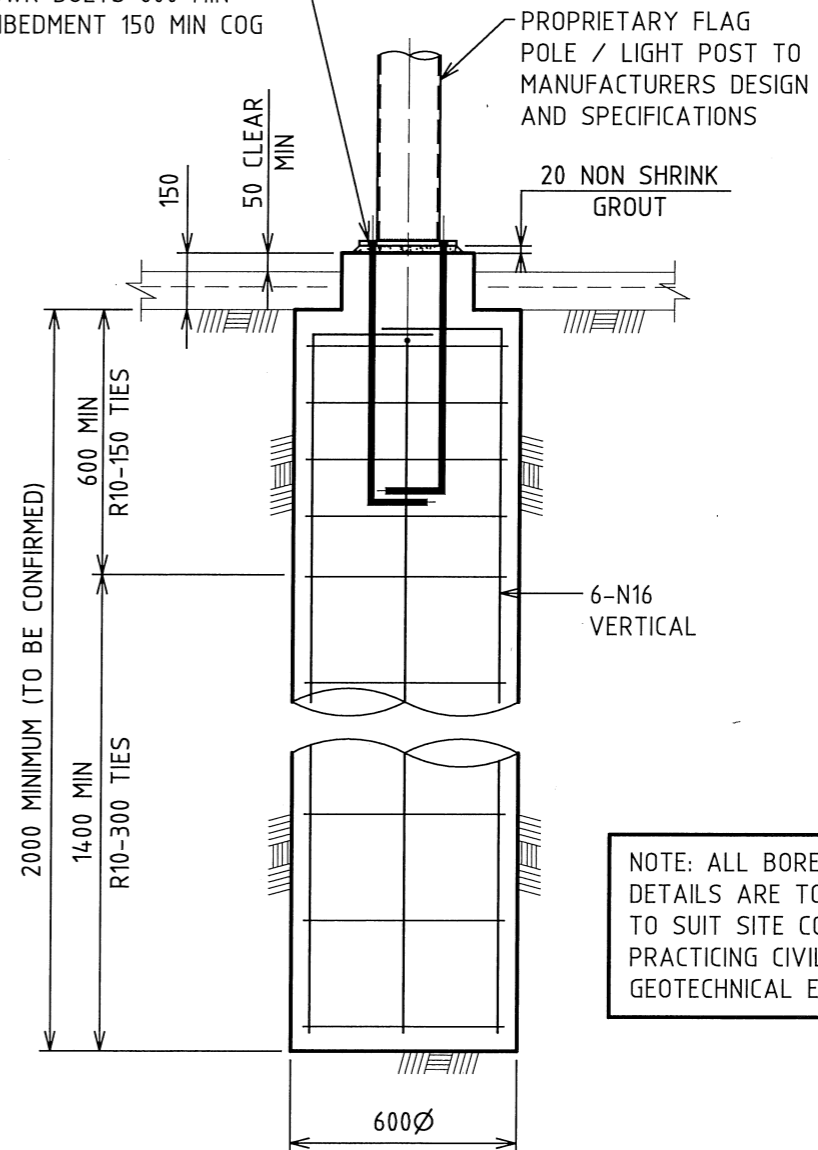
NOTES

1. ALL FLAG POLES ARE TO BE PROPRIETARY DESIGN IN ACCORDANCE WITH RELEVANT AUSTRALIAN STANDARDS TO MEET THE SITE SPECIFIC WIND LOADING CRITERIA DETERMINED IN ACCORDANCE WITH AS1170.2 WIND LOADS.
2. ALL CONCRETE IS TO HAVE A COMPRESSIVE STRENGTH $F'c = 32 \text{ MPa}$. MINIMUM COVER TO REINFORCEMENT IS TO BE 50mm.
3. BORED PIER TO BE FOUNDED ON NATURAL CUT GROUND (NOT FILL) WITH A MINIMUM ALLOWABLE BEARING CAPACITY OF 300 KPa .



PLAN

PROVIDE 4-M20 HOLDING DOWN BOLTS 600 MIN EMBEDMENT 150 MIN COG



SECTION
BORED PIER
SCALE 1:20

NOTE: ALL BORED PIER FOOTING DETAILS ARE TO BE CONFIRMED TO SUIT SITE CONDITION BY A PRACTICING CIVIL, STRUCTURAL, GEOTECHNICAL ENGINEER

1	CONSTRUCTION	18.12.14	T.A.
0	PRELIMINARY	18.11.14	T.A.
No.	AMENDMENT DETAILS	DATE	INITIALS

A3 ORIGINAL THIS SHEET WAS PREPARED IN COLOUR AND WILL BE INCOMPLETE IF COPIED

SCALE	AS SHOWN
COORDINATE SYSTEM:	HEIGHT DATUM: AHD

LIVEABLE CITY
INFRASTRUCTURE
MANAGEMENT SERVICES

REVIEWED: J.C.

APPROVED:

SIGNED: *[Signature]*
INFRASTRUCTURE MANAGEMENT SERVICES MANAGER

DATE: 14/11/15

THE CITY OF NEWCASTLE

POSTS
FLAG/BANNER/MULTI PURPOSE POLE

NCC PLAN No.	A3620	SHEET No.	1
AMENDMENT No.		OF	1
		SHEETS	1