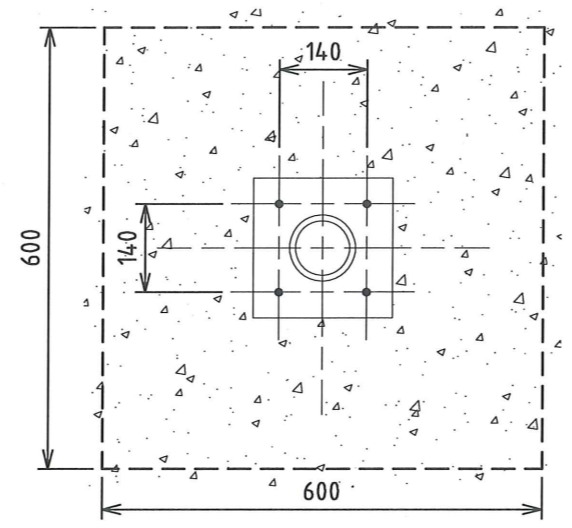
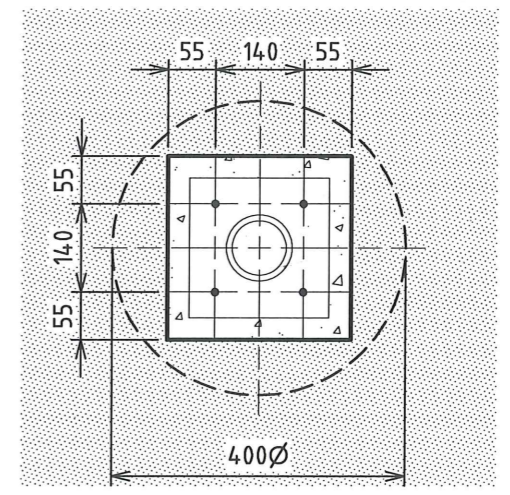


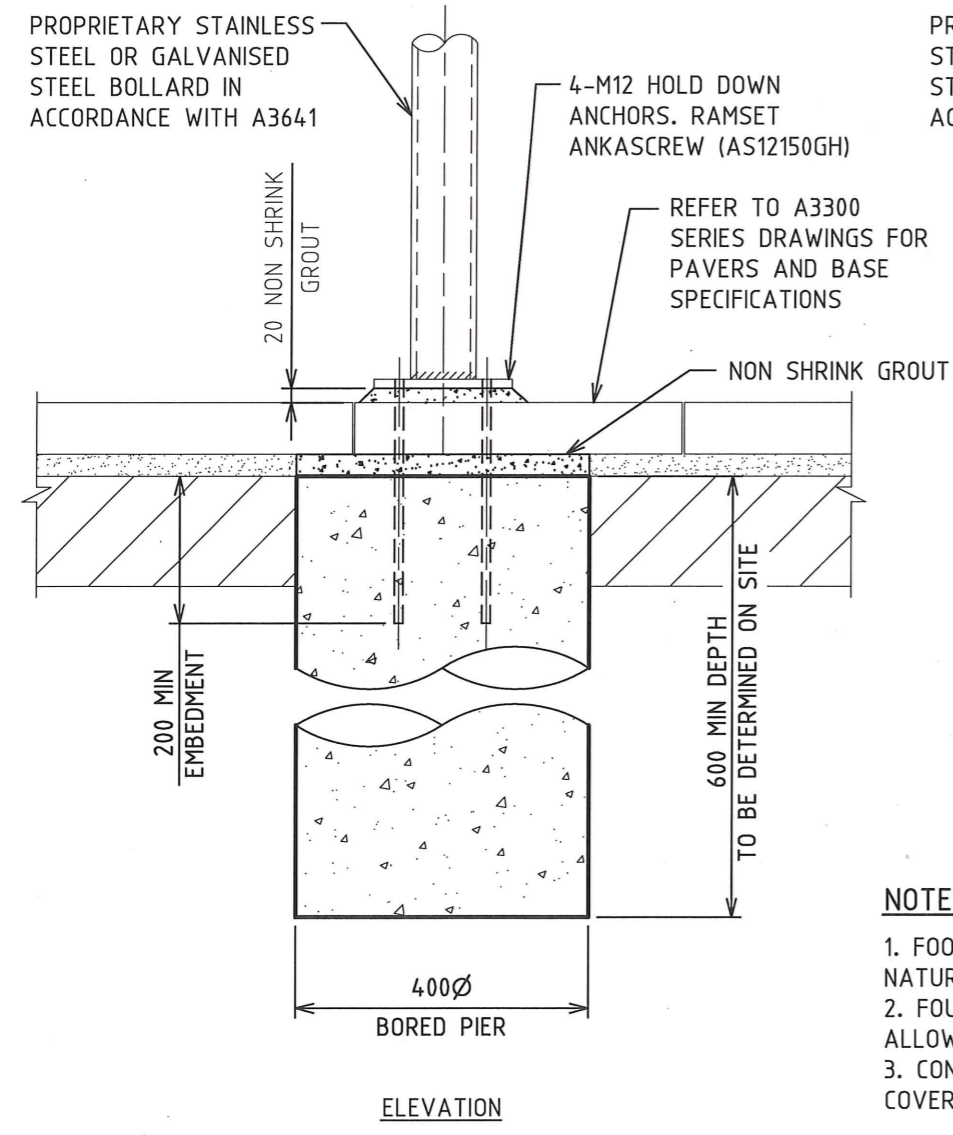
PLAN



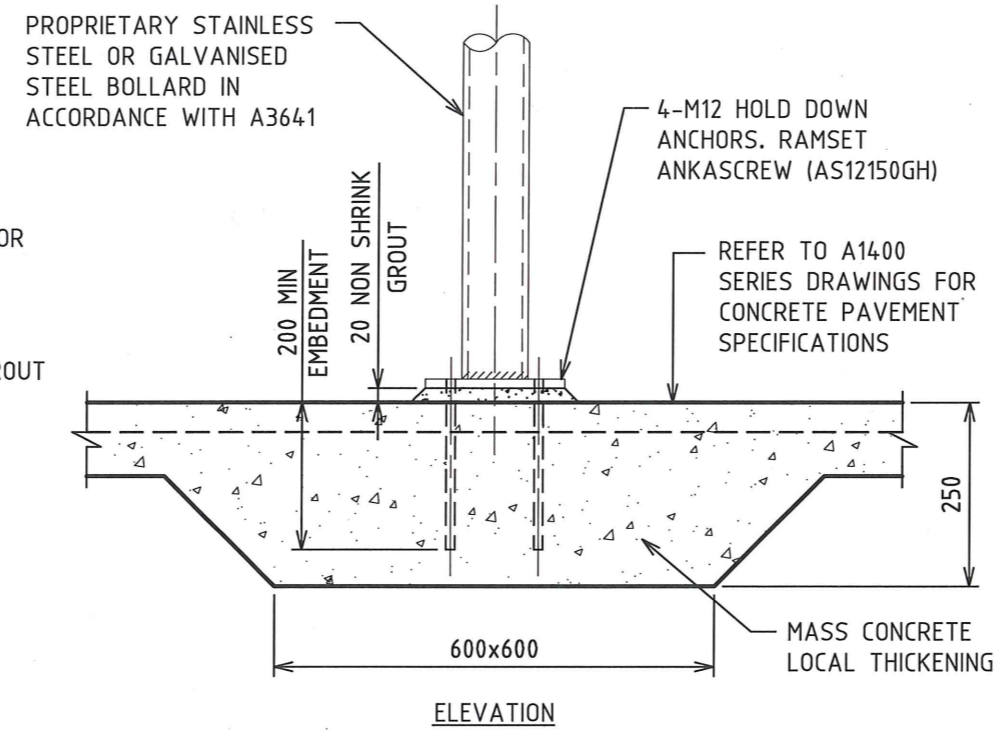
PLAN



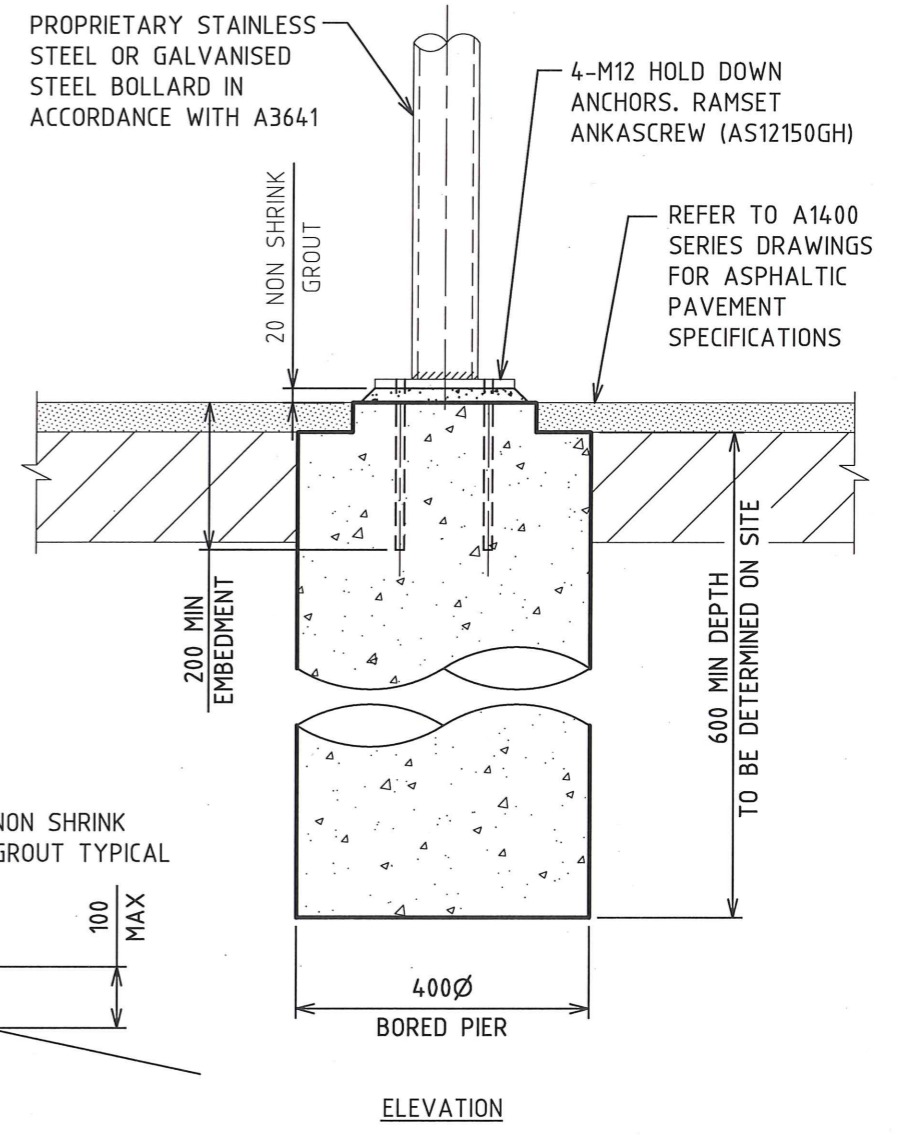
PLAN



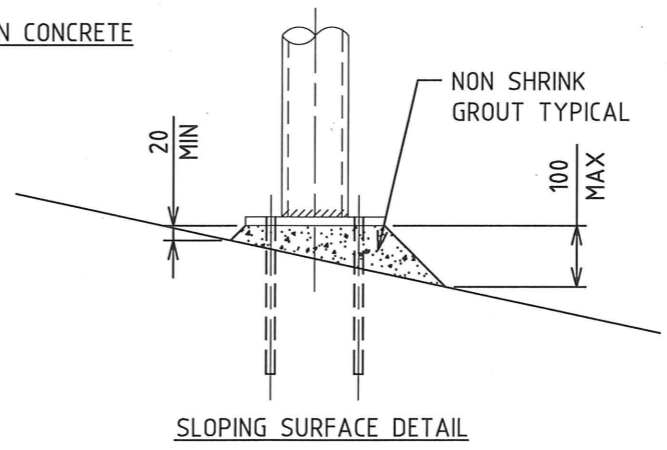
SURFACE MOUNTED ON PAVERS



SURFACE MOUNTED ON CONCRETE



SURFACE MOUNTED ON ASPHALT



SLOPING SURFACE DETAIL

- NOTES**
1. FOOTINGS ARE TO BE FOUNDED IN FIRM NATURAL CUT GROUND, NOT FILL
 2. FOUNGING MATERIAL TO HAVE A MINIMUM ALLOWABLE BEARING CAPACITY OF 100KPa
 3. CONCRETE TO BE F'c 25MPa WITH MINIMUM COVER / EDGE DISTANCE OF 60mm.

BOLLARD STEEL FIXED - FOOTING DETAILS
SCALE 1:10

<table border="1"> <tr> <td>2</td> <td>GENERAL REVISION</td> <td>05.07.16</td> <td>T.A.</td> </tr> <tr> <td>1</td> <td>CONSTRUCTION</td> <td>18.12.14</td> <td>T.A.</td> </tr> <tr> <td>0</td> <td>PRELIMINARY</td> <td>18.11.14</td> <td>T.A.</td> </tr> <tr> <td>No.</td> <td>AMENDMENT DETAILS</td> <td>DATE</td> <td>INITIALS</td> </tr> </table>			2	GENERAL REVISION	05.07.16	T.A.	1	CONSTRUCTION	18.12.14	T.A.	0	PRELIMINARY	18.11.14	T.A.	No.	AMENDMENT DETAILS	DATE	INITIALS	<p>SCALE AS SHOWN</p>	<p>LIVEABLE CITY INFRASTRUCTURE MANAGEMENT SERVICES</p>	<p>APPROVED: <i>[Signature]</i></p> <p>SIGNED: INFRASTRUCTURE MANAGEMENT SERVICES MANAGER DATE: 29.09.2016</p>	<p>THE CITY OF NEWCASTLE</p> <p>BOLLARD STEEL FIXED FOOTING DETAILS</p>	<p>NCC PLAN No. A3640</p>	<p>SHEET No. 1 OF 1 SHEETS</p>
2	GENERAL REVISION	05.07.16	T.A.																					
1	CONSTRUCTION	18.12.14	T.A.																					
0	PRELIMINARY	18.11.14	T.A.																					
No.	AMENDMENT DETAILS	DATE	INITIALS																					
<p>A3 ORIGINAL THIS SHEET WAS PREPARED IN COLOUR AND WILL BE INCOMPLETE IF COPIED</p>		<p>COORDINATE SYSTEM:</p>	<p>HEIGHT DATUM: AHD</p>	<p>REVIEWED: J.C.</p>	<p>AMENDMENT No.</p>																			