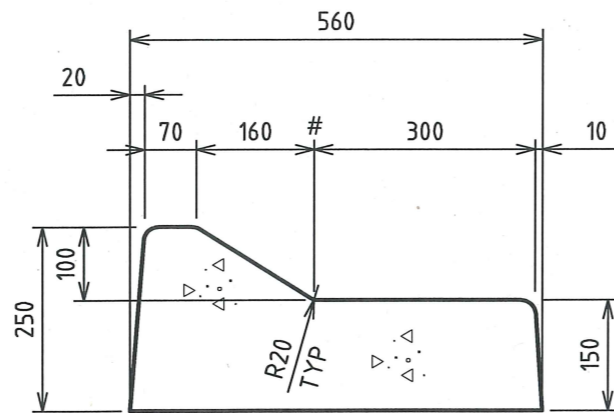
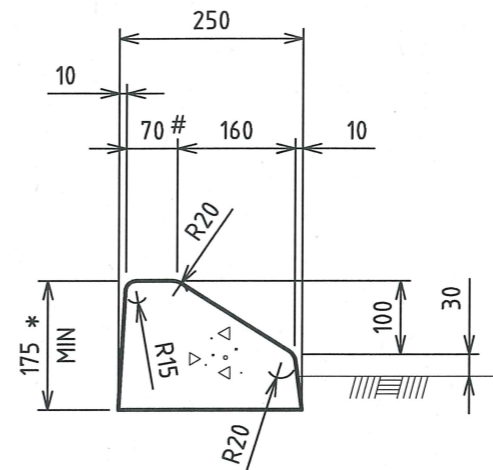


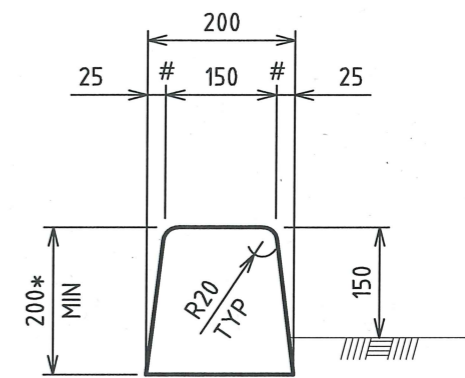
(CONCRETE = 0.111 m³/m)
INTEGRAL KERB & GUTTER
 SCALE 1:10



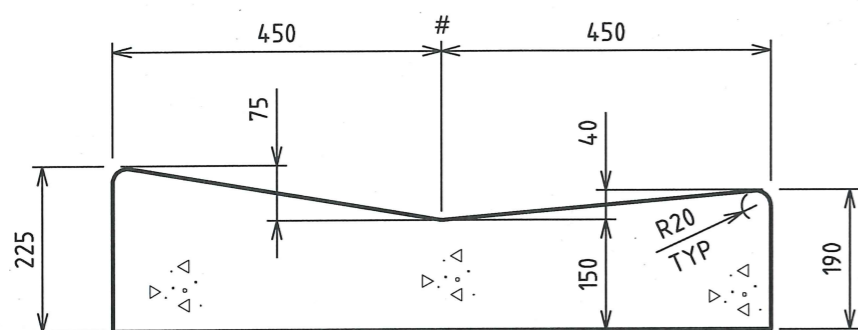
(CONCRETE = 0.087 m³/m)
TYPE SE (RTA STANDARD)
 SCALE 1:10



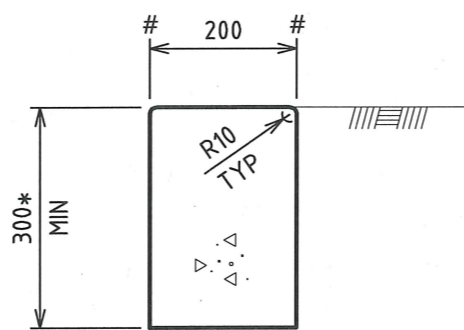
(CONCRETE = 0.034 m³/m)
MOUNTABLE KERB
 SCALE 1:10



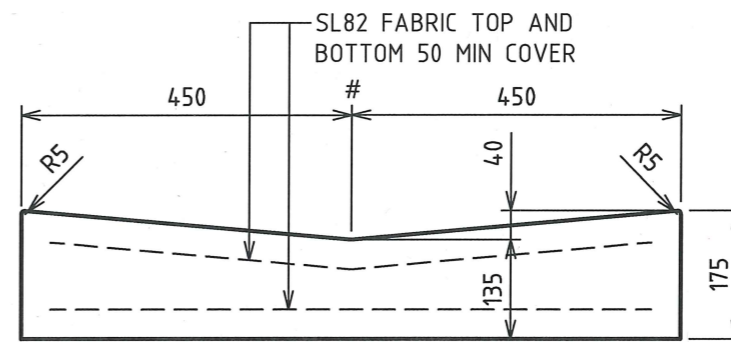
(CONCRETE = 0.037 m³/m)
KERB ONLY
 SCALE 1:10



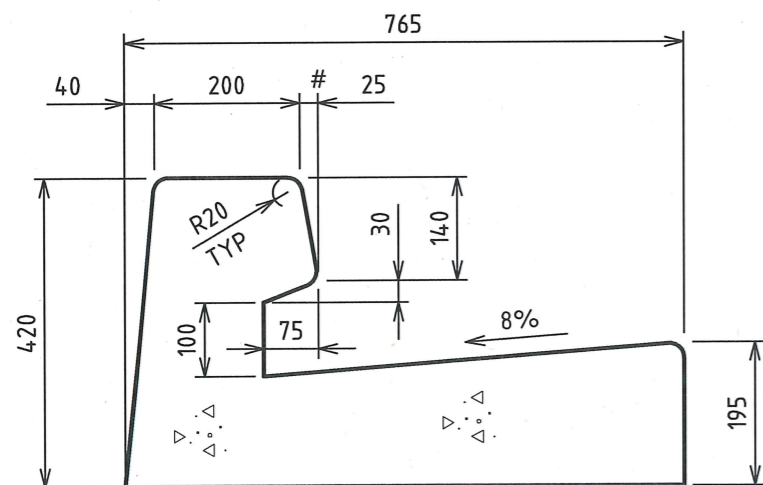
(CONCRETE = 0.161 m³/m)
DISHED GUTTER
 SCALE 1:10



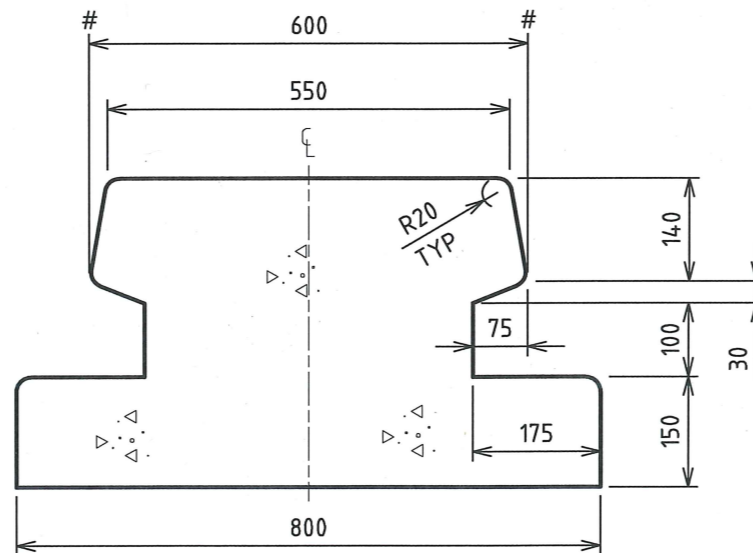
(CONCRETE = 0.161 m³/m)
FLUSH EDGE RESTRAINT
 SCALE 1:10



DISH CROSSING
 SCALE 1:10



ELSHOLZ - NEARSIDE INSTALLATION
 SCALE 1:10



ELSHOLZ - TYPICAL MEDIAN INSTALLATION
 SCALE 1:10

NOTES

1. DETAIL DRAWINGS ARE NOT TO BE SCALED.
2. CONCRETE STRENGTH TO BE 25MPa MINIMUM AT 28 DAYS.
3. TRANSITION FROM ONE KERB PROFILE TO ANOTHER TO BE OVER 3.0 METRES.
- '*' DIMENSIONS ARE NOMINAL ONLY - REFERENCE SHOULD BE MADE TO CONSTRUCTION PLANS FOR ACTUAL
- '#' DIMENSIONS NOMINAL KERB LINE FOR SETTING OUT.
4. PROVIDE A TOOL JOINT 5mm WIDE AND 20mm DEEP AT 2500 MAX CENTERS. TYPICAL

<table border="1"> <tr> <td>1</td> <td>GENERAL REVISION</td> <td>18.08.15</td> <td>T.A.</td> </tr> <tr> <td>0</td> <td>CONSTRUCTION</td> <td>29.04.14</td> <td>T.A.</td> </tr> <tr> <td>No.</td> <td>AMENDMENT DETAILS</td> <td>DATE</td> <td>INITIALS</td> </tr> </table>				1	GENERAL REVISION	18.08.15	T.A.	0	CONSTRUCTION	29.04.14	T.A.	No.	AMENDMENT DETAILS	DATE	INITIALS	SCALE AS SHOWN				APPROVED: SIGNED: _____ INFRASTRUCTURE MANAGEMENT SERVICES MANAGER DATE: 21/8/15		THE CITY OF NEWCASTLE STANDARD EXTRUDED KERB AND GUTTER PROFILES		NCC PLAN No. A1200		SHEET No. 1 OF 1 SHEETS	
1	GENERAL REVISION	18.08.15	T.A.																								
0	CONSTRUCTION	29.04.14	T.A.																								
No.	AMENDMENT DETAILS	DATE	INITIALS																								
A3 ORIGINAL THIS SHEET WAS PREPARED IN COLOUR AND WILL BE INCOMPLETE IF COPIED				COORDINATE SYSTEM:		HEIGHT DATUM: AHD		AMENDMENT No.																			