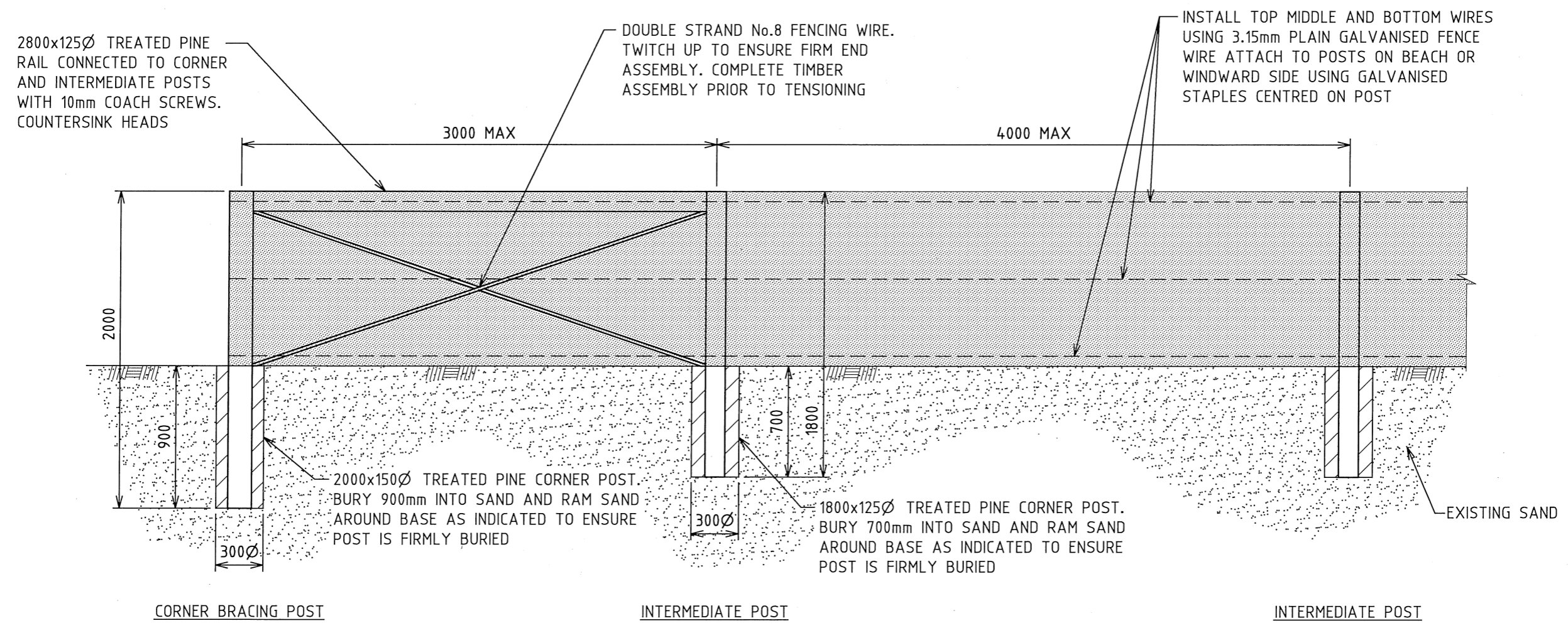


NOTE:
 STAPLES ARE NOT TO BE DRIVEN IN HARD AGAINST THE POST TO ALLOW WIRE TO MOVE FREELY AND TO PREVENT DAMAGE TO GALVANISING ON WIRE



ELEVATION
 FENCES - WIND PROTECTION
 SCALE 1:30

1	CONSTRUCTION	18.12.14	T.A.
0	PRELIMINARY	18.11.14	T.A.
No.	AMENDMENT DETAILS	DATE	INITIALS

A3 ORIGINAL THIS SHEET WAS PREPARED IN COLOUR AND WILL BE INCOMPLETE IF COPIED

SCALE
 AS SHOWN

COORDINATE SYSTEM:

HEIGHT DATUM: AHD

LIVEABLE CITY
 INFRASTRUCTURE
 MANAGEMENT SERVICES

REVIEWED: J.C.

APPROVED:

SIGNED: *[Signature]*
 INFRASTRUCTURE MANAGEMENT SERVICES MANAGER

DATE: 16/1/15

THE CITY OF NEWCASTLE

FENCES
 WIND PROTECTION

NCC PLAN No.
A3509

AMENDMENT No.

SHEET No.
 1
 OF
 1
 SHEETS